



US00D808022S

(12) **United States Design Patent**  
**Ingemarsson-Matzen**

(10) **Patent No.:** **US D808,022 S**

(45) **Date of Patent:** **\*\* Jan. 16, 2018**

(54) **ORAL DEVICE FOR PREVENTING  
SNORING AND SLEEP APNEA**

2,424,533 A \* 7/1947 Faires ..... A61F 5/566  
128/848

(71) Applicant: **Natashia Ingemarsson-Matzen,**  
Charlottenlund (DK)

2,827,899 A \* 3/1958 Altieri ..... A63B 71/085  
128/862

(72) Inventor: **Natashia Ingemarsson-Matzen,**  
Charlottenlund (DK)

2,833,278 A \* 5/1958 Ross ..... A63B 71/085  
128/862

3,236,235 A \* 2/1966 Jacobs ..... A63B 71/085  
128/862

(Continued)

(73) Assignee: **Petruska, LLC,** Orlando, FL (US)

**FOREIGN PATENT DOCUMENTS**

(\*\*) Term: **15 Years**

AU 1999 476 15 B2 1/2000  
CA 223 650 3 A1 11/1998

(21) Appl. No.: **29/536,338**

(Continued)

(22) Filed: **Aug. 15, 2015**

**OTHER PUBLICATIONS**

**Related U.S. Application Data**

U.S. Appl. No. 14/011,117, Natashia Ingemarsson-Matzen.  
U.S. Appl. No. 14/308,636, Natashia Ingemarsson-Matzen.  
U.S. Appl. No. 35/500,286, Natashia Ingemarsson-Matzen.

(63) Continuation of application No. 29/430,427, filed on  
Aug. 24, 2012, now abandoned.

(30) **Foreign Application Priority Data**

*Primary Examiner* — Michael A. Pratt  
*Assistant Examiner* — Michelle E Wilson  
(74) *Attorney, Agent, or Firm* — Frijouf, Rust & Pyle  
P.A.

Feb. 29, 2012 (DK) ..... 2012 00040  
Mar. 11, 2012 (WO) ..... DM/078 356

(51) **LOC (11) Cl.** ..... **24-04**

(52) **U.S. Cl.**  
USPC ..... **D24/188**

(58) **Field of Classification Search**  
USPC ..... D24/180-182, 152, 176-177; D29/108;  
128/848, 859, 861-862; 433/6-7, 19, 44;  
602/902

See application file for complete search history.

(57) **CLAIM**

The ornamental design for an oral device for preventing  
snoring and sleep apnea, as shown and described.

(56) **References Cited**

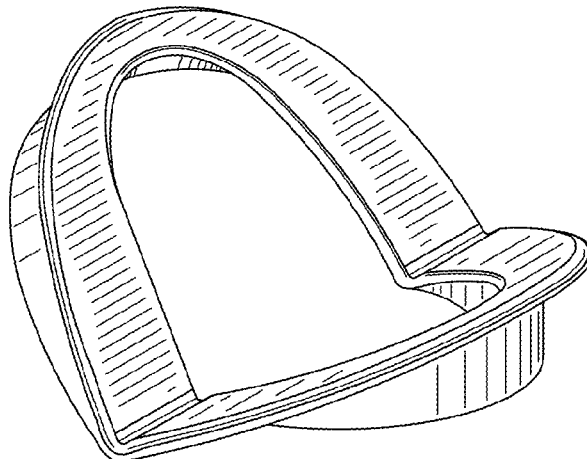
**U.S. PATENT DOCUMENTS**

587,358 A \* 8/1897 Anderson ..... A61F 5/566  
128/848  
746,869 A \* 12/1903 Moulton ..... A61F 5/566  
128/848

**DESCRIPTION**

FIG. 1 is a front perspective view of an oral device for  
preventing snoring and sleep apnea, showing my new  
design;  
FIG. 2 is a top view thereof;  
FIG. 3 is a side view thereof;  
FIG. 4 is a front view thereof;  
FIG. 5 is a rear view thereof; and,  
FIG. 6 is a bottom view thereof.

**1 Claim, 3 Drawing Sheets**



(56)

**References Cited**

U.S. PATENT DOCUMENTS

3,312,218 A \* 4/1967 Jacobs ..... A63B 71/085  
 128/862  
 3,434,470 A \* 3/1969 Strickland ..... A61F 5/566  
 128/848  
 3,478,742 A \* 11/1969 Bohlmann ..... A61C 7/08  
 128/860  
 3,536,069 A \* 10/1970 Gores ..... A61C 19/063  
 128/861  
 4,169,473 A \* 10/1979 Samelson ..... A61F 5/566  
 128/848  
 5,313,960 A 5/1994 Tomasi  
 5,566,683 A \* 10/1996 Thornton ..... A61F 5/566  
 128/848  
 6,729,335 B1 5/2004 Halstrom  
 7,810,502 B1 10/2010 Nguyen et al.  
 2005/0236003 A1 10/2005 Meader  
 2008/0099029 A1 5/2008 Lamberg  
 2008/0115791 A1 5/2008 Heine  
 2009/0014013 A1 1/2009 Magnin  
 2010/0043805 A1 2/2010 Kelly  
 2010/0300458 A1 12/2010 Stubbs et al.

2011/0017220 A1 1/2011 Lindsay et al.  
 2011/0226261 A1 9/2011 Hernandez  
 2013/0014765 A1 1/2013 Meade  
 2013/0098372 A1 4/2013 Webster et al.

FOREIGN PATENT DOCUMENTS

DE 201 02 432 U1 4/2001  
 EP O 312 368 4/1989  
 EP 0 337 201 B1 8/1992  
 EP 0 794 749 B1 6/2003  
 EP 1 719 481 A1 4/2009  
 EP 2 529 710 A1 12/2012  
 EP 2 491 901 A1 7/2014  
 GB 2 264 868 9/1993  
 WO WO 92/05752 4/1992  
 WO WO 92/11827 7/1992  
 WO WO 01 302 60 A1 5/2001  
 WO WO 2008 / 130 413 A1 10/2008  
 WO WO 2009 / 062 541 A1 5/2009  
 WO WO 2011 / 115 962 A1 9/2011  
 WO WO 2013 / 032 884 A1 3/2013  
 WO WO 2013 049 751 A2 4/2013  
 WO WO/2014/194910 12/2014

\* cited by examiner

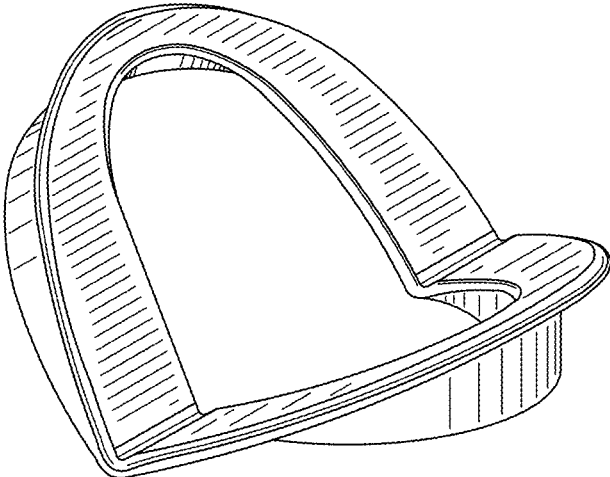


FIG. 1

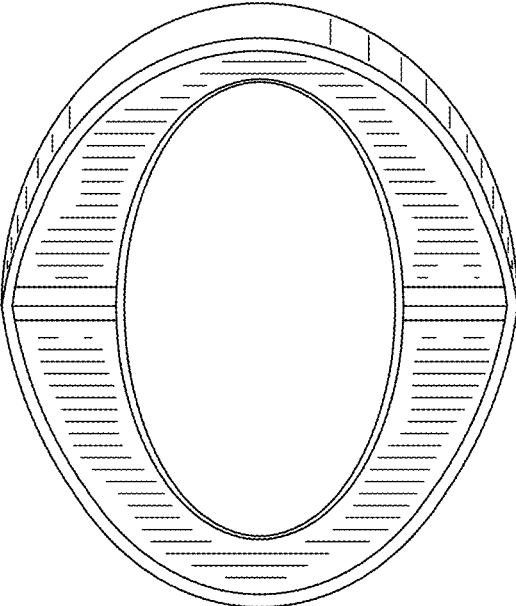


FIG. 2

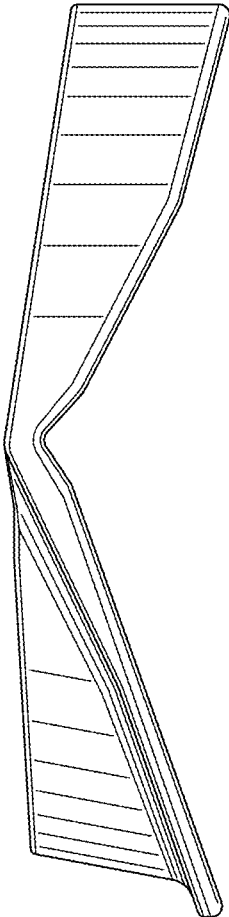


FIG. 3

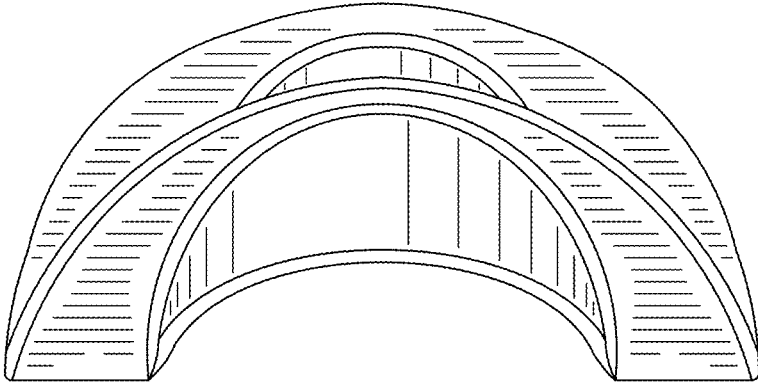


FIG. 4

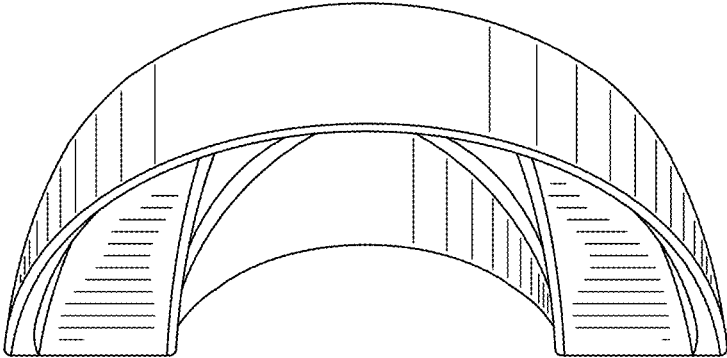


FIG. 5

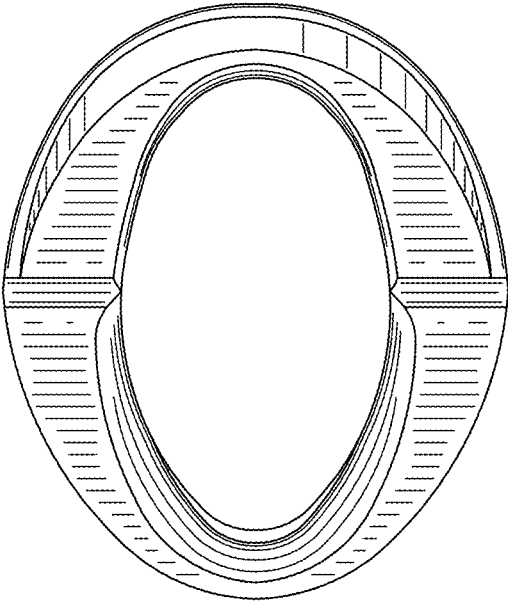


FIG. 6