



US00D799633S

(12) **United States Design Patent**
Avery

(10) **Patent No.:** **US D799,633 S**

(45) **Date of Patent:** **** Oct. 10, 2017**

(54) **MARINE CONTAINMENT DEVICE**

(71) Applicant: **Matthew Avery**, Parrish, FL (US)

(72) Inventor: **Matthew Avery**, Parrish, FL (US)

(**) Term: **15 Years**

(21) Appl. No.: **29/555,093**

(22) Filed: **Feb. 18, 2016**

(51) **LOC (10) Cl.** **22-05**

(52) **U.S. Cl.**
USPC **D22/136**

(58) **Field of Classification Search**
USPC D22/136, 134, 145-146, 199;
D21/542-546; 43/55-56, 100
CPC A01K 63/00; A01K 63/02; A01K 97/01;
A01K 97/04; A01K 97/05
See application file for complete search history.

(56) **References Cited**

U.S. PATENT DOCUMENTS

2,149,996	A *	3/1939	Gulden	A01K 97/05	43/56
3,009,281	A	11/1961	Unger			
3,728,812	A *	4/1973	Woolworth	A01K 97/05	43/55
D226,849	S *	5/1973	Woolworth et al.	D22/121	
4,297,804	A	11/1981	Weld			
4,554,757	A	11/1985	Sakuta, Jr.			
4,603,503	A	8/1986	Haney			
4,686,788	A	8/1987	Hartman			
D294,510	S *	3/1988	Michaelson	D21/542	

4,794,723	A	1/1989	Arnold et al.			
5,123,198	A	6/1992	Von Grossmann			
5,191,732	A *	3/1993	Berdinsky	A01K 97/05	43/55
7,788,843	B2	9/2010	Boos, Jr.			
8,943,735	B2 *	2/2015	Brown	A01K 97/01	43/4.5
D737,400	S *	8/2015	Drummond	D22/136	
9,516,871	B1 *	12/2016	Winter	A01K 97/05	

OTHER PUBLICATIONS

U.S. Appl. No. 15/435,597, Avery.

* cited by examiner

Primary Examiner — Catheri Oliver-Garcia
(74) *Attorney, Agent, or Firm* — Frijouf, Rust & Pyle, P.A.

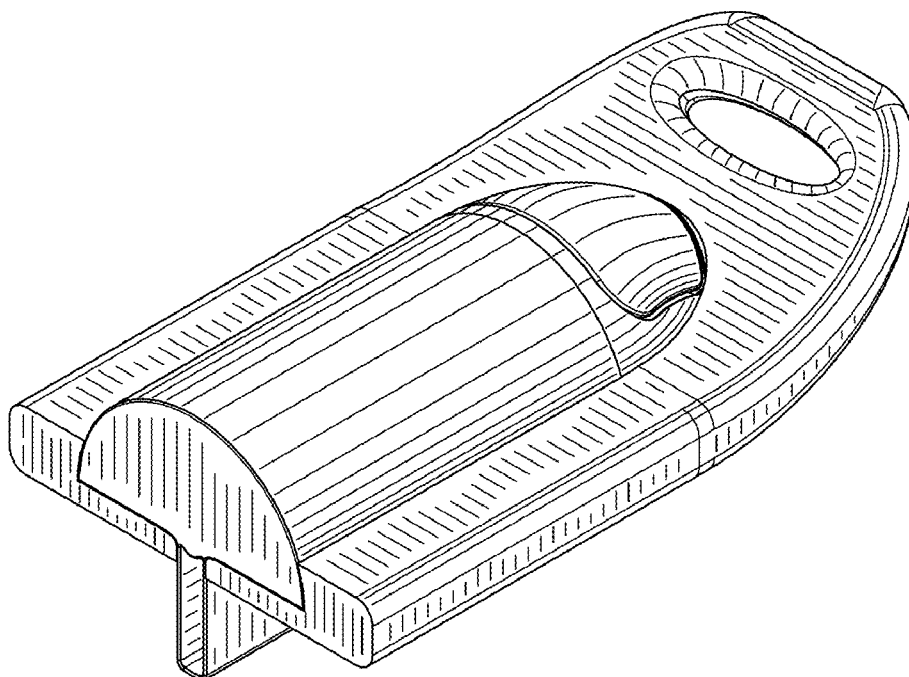
(57) **CLAIM**

The ornamental design for a marine containment device, as shown and described.

DESCRIPTION

FIG. 1 is a top rear isometric view of my new design for a marine containment device;
FIG. 2 is a bottom front isometric view of FIG. 1;
FIG. 3 is a left side view of FIG. 2;
FIG. 4 is a right side view of FIG. 2;
FIG. 5 is a top view of FIG. 3;
FIG. 6 is a bottom view of FIG. 3;
FIG. 7 is a front view of FIG. 3; and,
FIG. 8 is a rear view of FIG. 3.

1 Claim, 4 Drawing Sheets



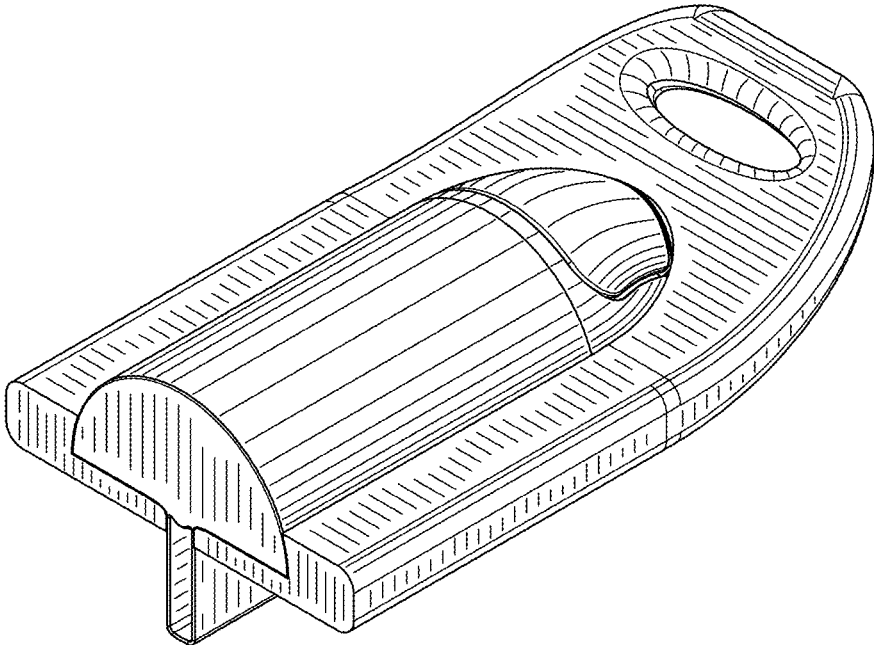


FIG. 1

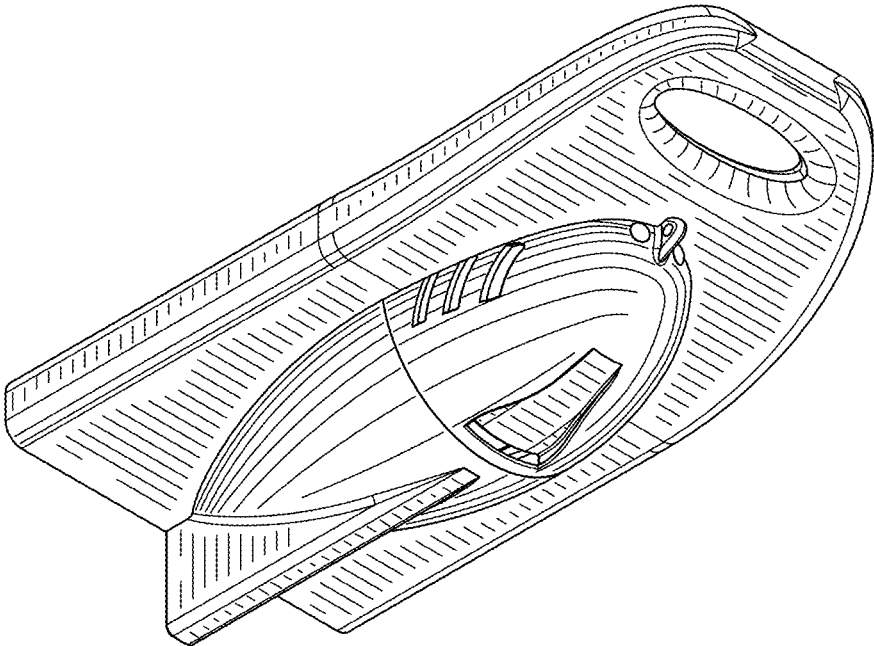


FIG. 2

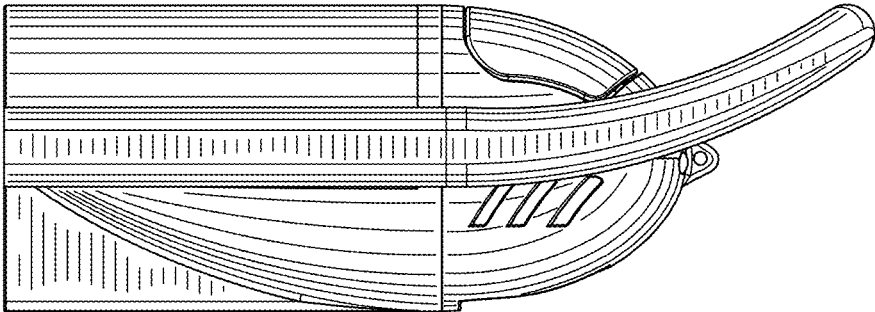


FIG. 3

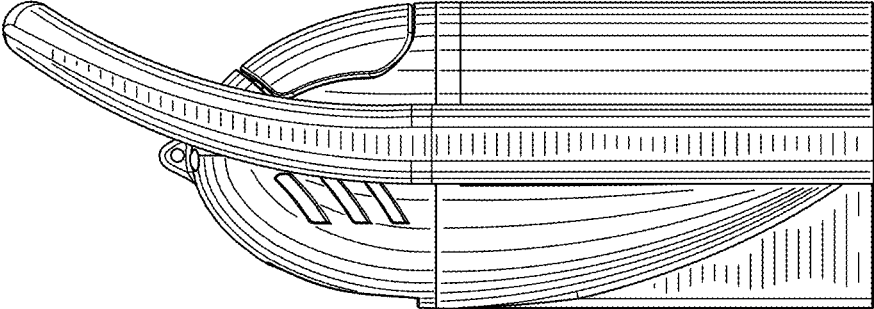


FIG. 4

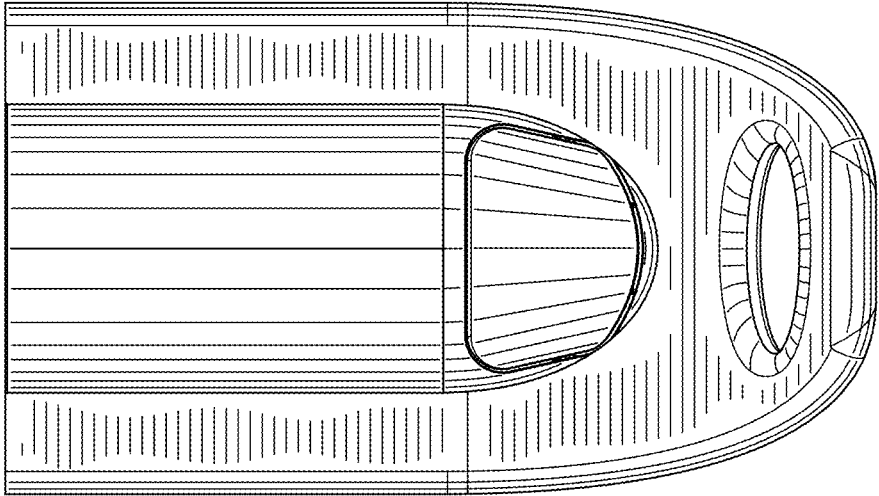


FIG. 5

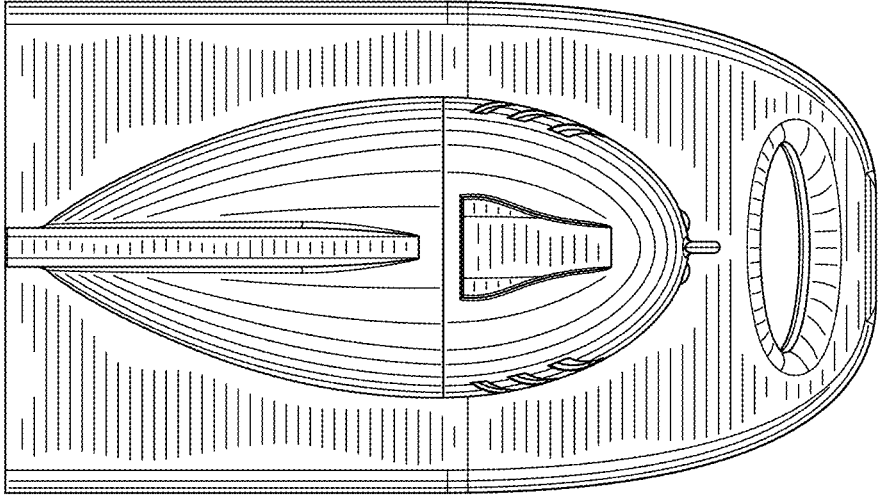


FIG. 6

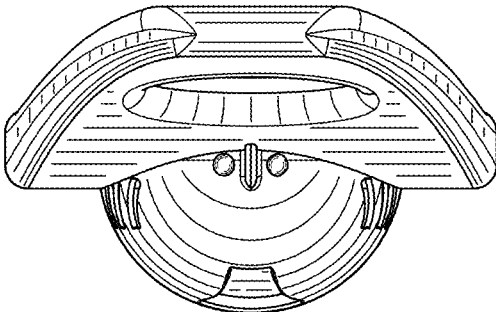


FIG. 7

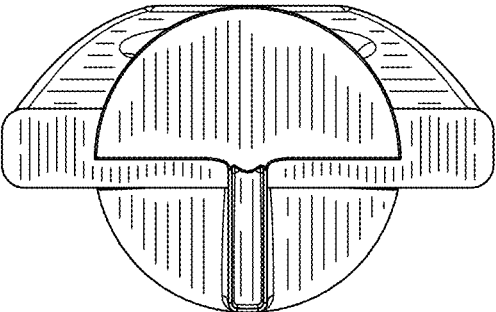


FIG. 8