



US00D770940S

(12) **United States Design Patent**
Taylor et al.

(10) **Patent No.:** **US D770,940 S**

(45) **Date of Patent:** **** Nov. 8, 2016**

(54) **UNMANNED AERIAL VEHICLE**

OTHER PUBLICATIONS

(71) Applicant: **Rapid Unmanned Aerial Systems, LLC.**, Myakka City, FL (US)

Unmanned System Technology by Caroline Rees dated Mar. 10, 2015. found online [Jan. 29, 2016] <http://www.unmannedsystemstechnology.com/2015/03/rapid-composites-develops-amphibious-uas/>.*

(72) Inventors: **Alan Taylor**, Myakka City, FL (US); **Matthew Dressig**, Myakka City, FL (US); **Tony Teav**, Myakka City, FL (US)

(Continued)

(73) Assignee: **Rapid Unmanned Aerial System, LLC.**, Myakka City, FL (US)

Primary Examiner — Robert M Spear
Assistant Examiner — Marissa J Cash
(74) *Attorney, Agent, or Firm* — Frijouf, Rust & Pyle, P.A.

(**) Term: **14 Years**

(21) Appl. No.: **29/490,663**

(57) **CLAIM**

The ornamental design for a unmanned aerial vehicle, as shown and described.

(22) Filed: **May 12, 2014**

(51) **LOC (10) Cl.** **12-07**

(52) **U.S. Cl.**
USPC **D12/16.1**

(58) **Field of Classification Search**
USPC D12/16.1, 19, 322, 323, 326, 327, 328,
D12/329, 330, 339, 341, 342, 343, 344;
D21/436, 438, 439, 440, 441, 446, 447,
D21/448, 449, 450, 453
CPC B64C 39/00; B64C 30/00; B64C 29/00;
B64C 5/06
See application file for complete search history.

DESCRIPTION

FIG. 1 is an upper front perspective view of our new design for an unmanned aerial vehicle;
FIG. 2 is a lower front perspective view of FIG. 1;
FIG. 3 is a front view of FIG. 1;
FIG. 4 is a rear view of FIG. 1;
FIG. 5 is a top view of FIG. 3;
FIG. 6 is a bottom view of FIG. 3;
FIG. 7 is a left side view of FIG. 3;
FIG. 8 is a right side view of FIG. 3;
FIG. 9 is an upper front perspective view of a second embodiment showing our new design for an unmanned aerial vehicle;
FIG. 10 is a lower front perspective view of FIG. 9;
FIG. 11 is a front view of FIG. 9;
FIG. 12 is a rear view of FIG. 9;
FIG. 13 is a top view of FIG. 11;
FIG. 14 is a bottom view of FIG. 11;
FIG. 15 is a left side view of FIG. 11; and,
FIG. 16 is a right side view of FIG. 11.

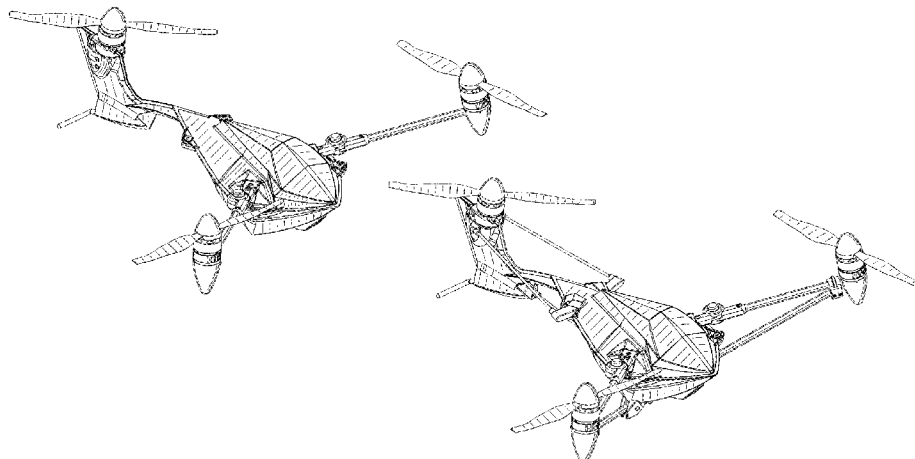
(56) **References Cited**

U.S. PATENT DOCUMENTS

3,053,480	A *	9/1962	Vanderlip	B64C 27/54 244/17.13
4,913,377	A *	4/1990	Eickmann	B64C 29/00 244/17.11
D311,514	S *	10/1990	Sano	D12/319
5,352,090	A *	10/1994	Churchill	G01B 17/04 416/34
D458,892	S *	6/2002	DeTore	D12/319
D465,196	S *	11/2002	Dammar	D12/328
D628,658	S *	12/2010	Wurm	D21/442
D648,808	S *	11/2011	Seydoux	D21/441

(Continued)

1 Claim, 8 Drawing Sheets



(56)

References Cited

OTHER PUBLICATIONS

U.S. PATENT DOCUMENTS

D684,103 S * 6/2013 Morelli D12/319
8,967,029 B1 * 3/2015 Calvert F41H 13/00
239/171
8,973,861 B2 * 3/2015 Zhou A63H 27/12
244/17.23
2012/0056041 A1 * 3/2012 Rhee B64C 25/32
244/4 R
2015/0129711 A1 * 5/2015 Caubel B64C 27/08
244/17.23

U.S. Appl. No. 61/992,046, Alan Taylor.
U.S. Appl. No. 62/062,699, Alan Taylor.
U.S. Appl. No. 14/71,490, Alan Taylor.
U.S. Appl. No. 61/992,142, Alan Taylor.
U.S. Appl. No. 62/062,708, Alan Taylor.
U.S. Appl. No. 62/129,318, Alan Taylor.
U.S. Appl. No. 14/710,306, Alan Taylor.
U.S. Appl. No. 62/064,948, Alan Taylor.
U.S. Appl. No. 14/821,139, Alan Taylor.

* cited by examiner

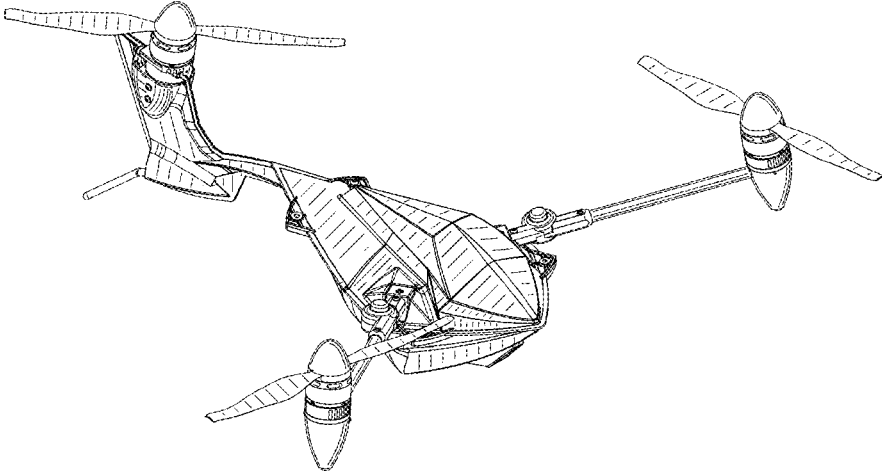


FIG. 1

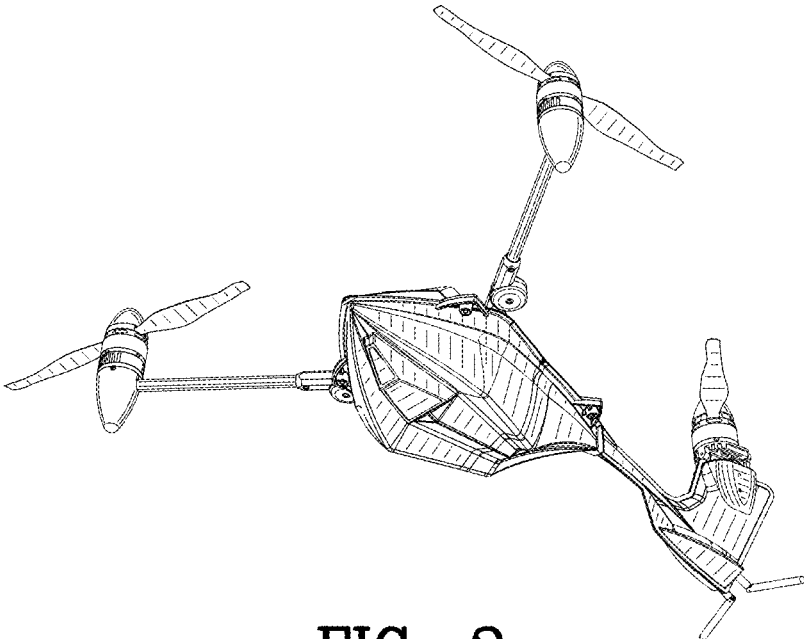


FIG. 2

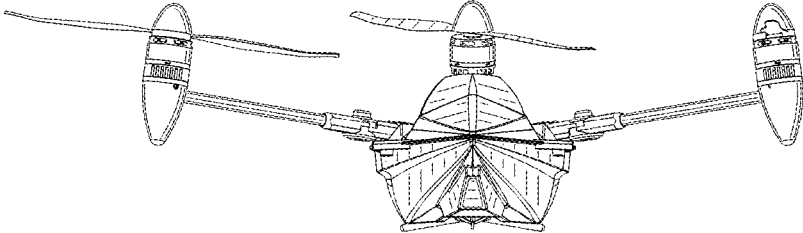


FIG. 3

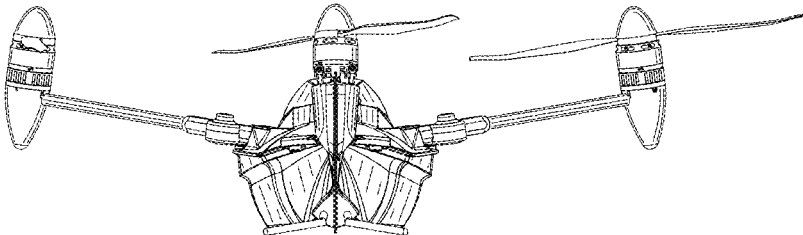


FIG. 4

FIG. 5

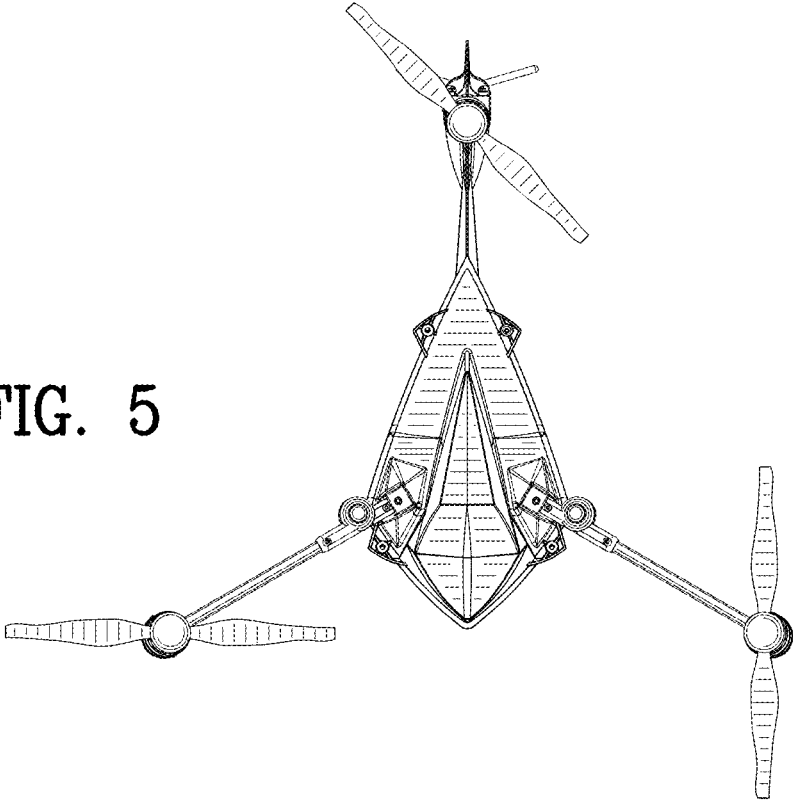
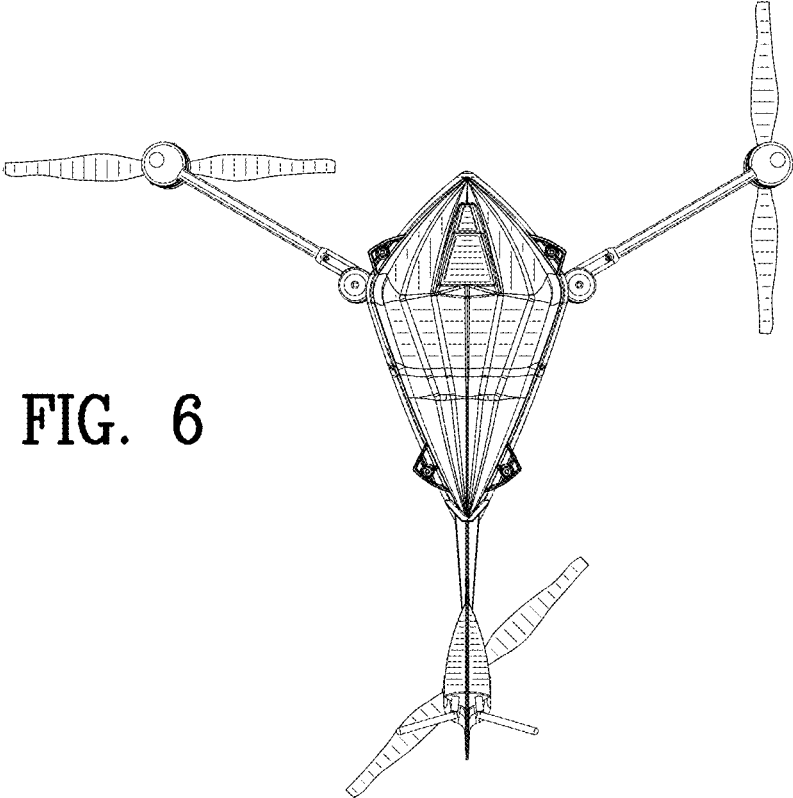


FIG. 6



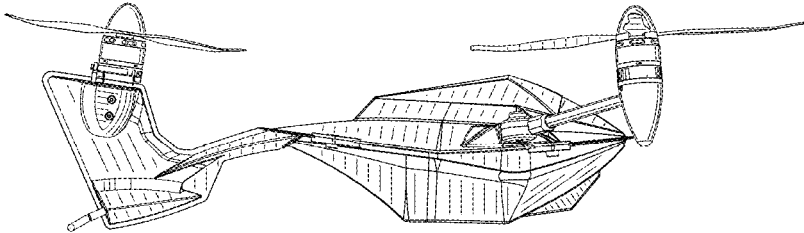


FIG. 7

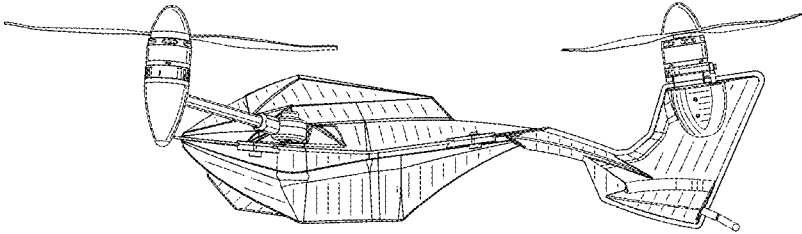


FIG. 8

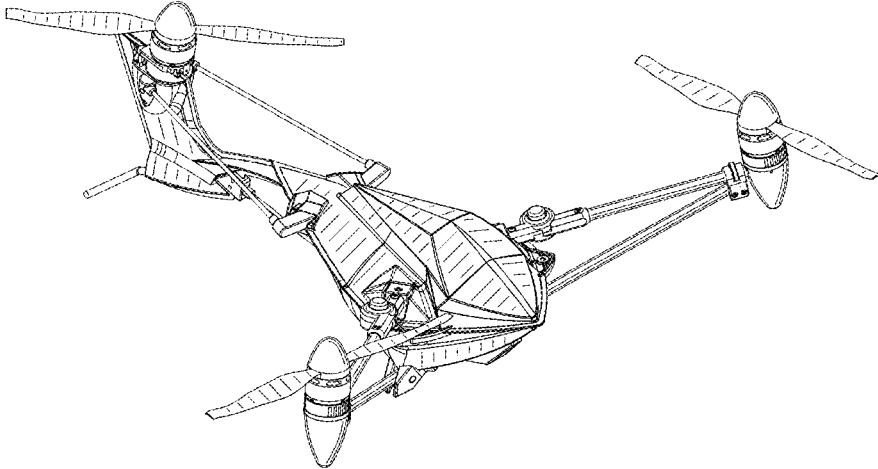


FIG. 9

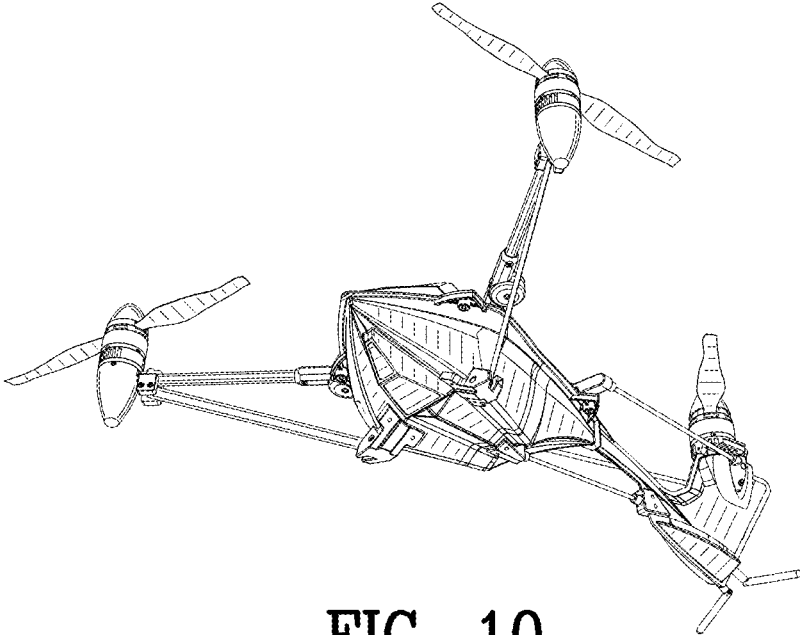


FIG. 10

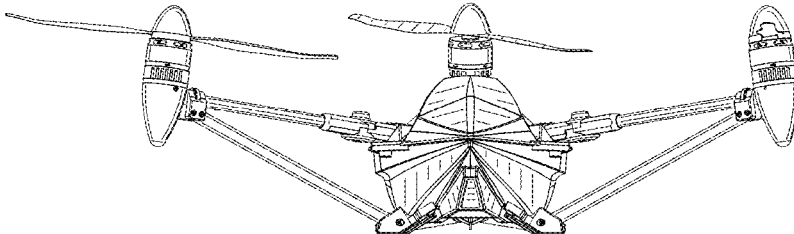


FIG. 11

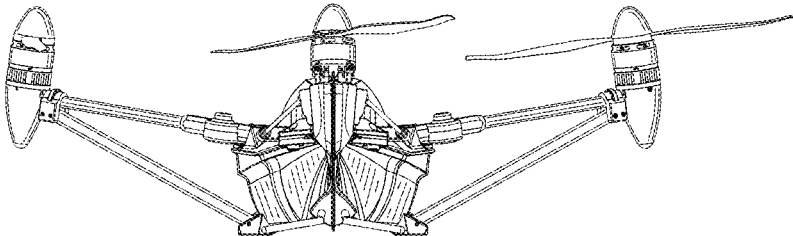


FIG. 12

FIG. 13

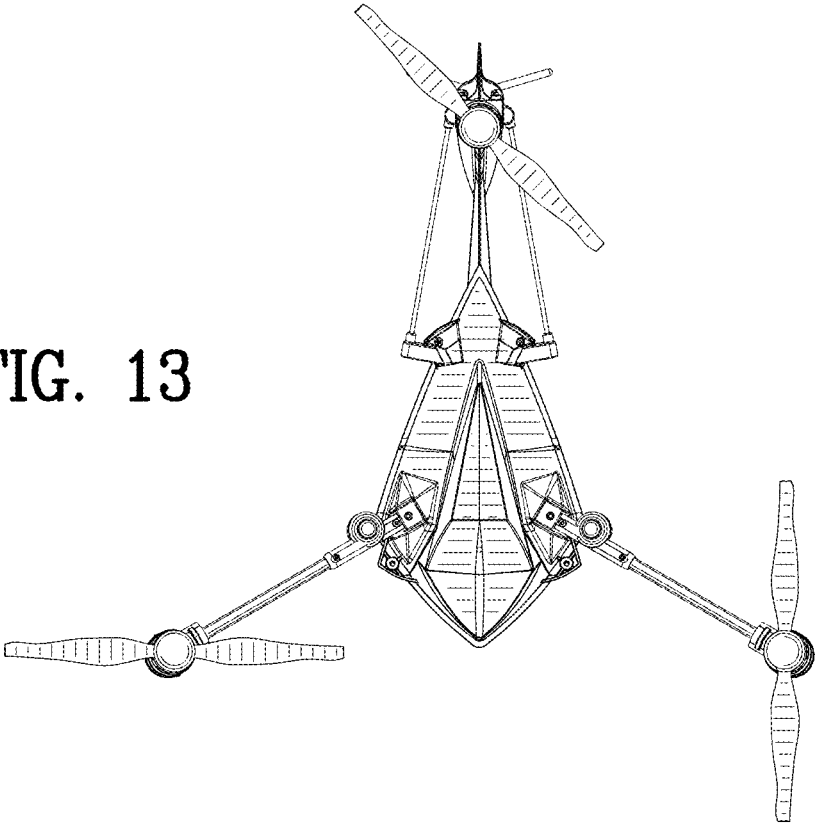
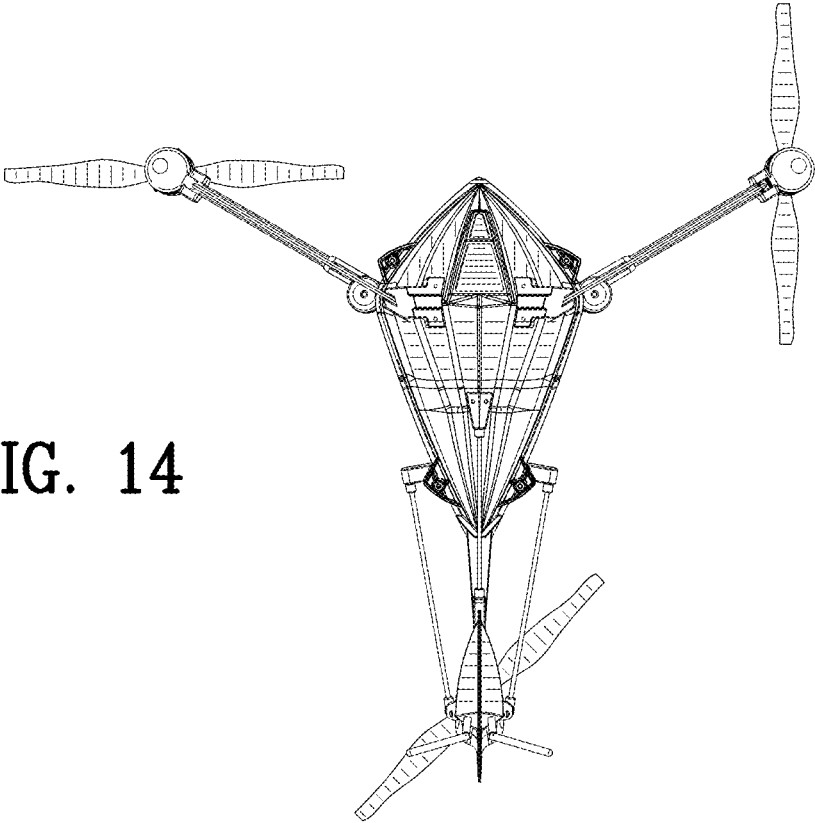


FIG. 14



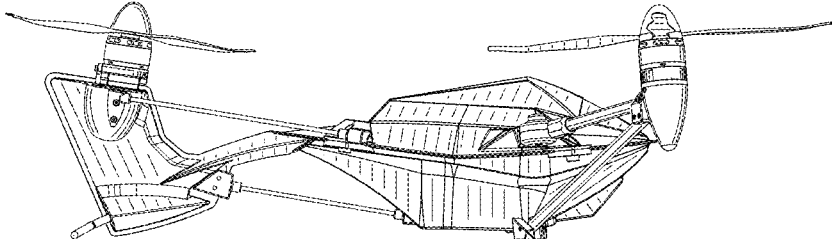


FIG. 15

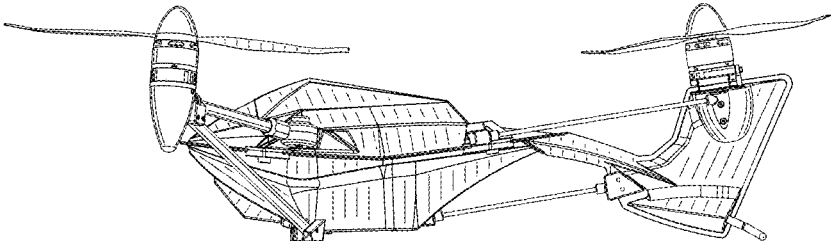


FIG. 16