



US00D770165S

(12) **United States Design Patent**  
**Music et al.**

(10) **Patent No.:** **US D770,165 S**  
(45) **Date of Patent:** **\*\* Nov. 1, 2016**

(54) **CASE WITH PIVOTING PLATFORM**  
(71) Applicant: **Gator Cases, Inc.**, Lutz, FL (US)  
(72) Inventors: **Kenji Music**, Wesley Chapel, FL (US);  
**Kwok Tin Cheung**, Guangzhou (CN)  
(73) Assignee: **Gator Cases, Inc.**, Lutz, FL (US)  
(\*\*) Term: **14 Years**  
(21) Appl. No.: **29/503,958**

2,013,281 A \* 9/1935 McCalla ..... A61B 50/312  
206/38  
D110,256 S \* 6/1938 Neumann et al. .... 206/45.28  
D119,571 S \* 3/1940 Wykel et al. .... 217/5  
2,281,617 A \* 5/1942 Franklin ..... A24F 15/06  
206/250  
D213,601 S \* 3/1969 Benke et al. .... D3/295  
D217,316 S \* 4/1970 Cassidy et al. .... D3/295  
D221,117 S \* 7/1971 Jacobs et al. .... D3/275  
D249,584 S \* 9/1978 Atkinson ..... D3/204  
D265,098 S \* 6/1982 Crowe ..... 206/5.1  
D324,952 S \* 3/1992 Berland ..... D3/203.1  
D353,711 S \* 12/1994 McGugan ..... 200/305

(Continued)

(22) Filed: **Sep. 30, 2014**  
(51) **LOC (10) Cl.** ..... **03-01**  
(52) **U.S. Cl.**  
USPC ..... **D3/204; D3/295**  
(58) **Field of Classification Search**  
USPC ..... D3/203.1, 203.3, 203.6, 206, 283, 295,  
D3/296, 298, 260; 206/1.7, 1.8, 6.1, 314,  
206/315.11, 747, 759, 372, 377  
CPC ..... B44D 3/02; B44D 3/04; A45C 11/16;  
G10G 7/005; A01K 97/06; B65D 5/5253;  
B65D 25/04; B65D 2543/00296; B25H 3/02;  
B25B 13/56  
See application file for complete search history.

**OTHER PUBLICATIONS**

U.S. Appl. No. 62/058,065, Kenji Music et al.  
(Continued)

*Primary Examiner* — John Windmuller  
*Assistant Examiner* — Steven Czyz  
(74) *Attorney, Agent, or Firm* — Frijouf, Rust & Pyle,  
P.A.

(56) **References Cited**

**U.S. PATENT DOCUMENTS**

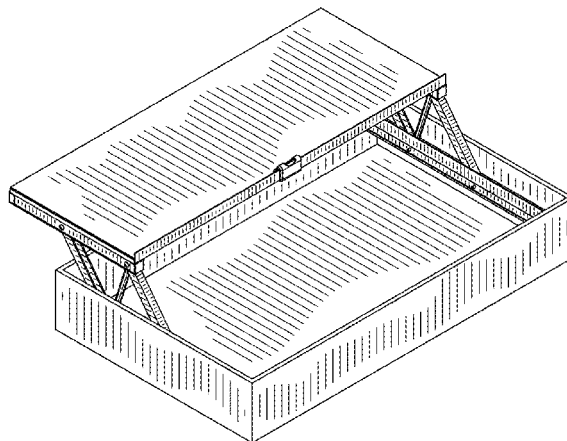
387,769 A \* 8/1888 Cowles et al. .... B65D 5/5266  
190/17  
1,030,758 A \* 6/1912 Adler et al. .... B65D 5/5266  
206/742  
1,099,067 A \* 6/1914 Lines et al. .... A47F 7/145  
206/741  
1,104,344 A \* 7/1914 Carlson et al. .... B65D 5/5266  
206/743  
1,238,074 A \* 8/1917 Beers et al. .... G09F 5/02  
190/17  
1,272,457 A \* 7/1918 Kandler et al. .... A47F 7/145  
206/741  
1,496,668 A \* 6/1924 Feinberg ..... A47F 3/145  
206/742

(57) **CLAIM**  
The ornamental design case with pivoting platform, as  
shown and described.

**DESCRIPTION**

FIG. 1 is a front upper perspective view of a case with  
pivoting platform showing our new design;  
FIG. 2 is an rear upper perspective view of FIG. 1;  
FIG. 3 is a front view of FIG. 1;  
FIG. 4 is a rear view of FIG. 1;  
FIG. 5 is a top view of FIG. 3;  
FIG. 6 is a bottom view of FIG. 3;  
FIG. 7 is a left side view of FIG. 3; and,  
FIG. 8 is a right side view of FIG. 3.

**1 Claim, 4 Drawing Sheets**



(56)

References Cited

U.S. PATENT DOCUMENTS

D356,904 S \* 4/1995 Wolff ..... D24/185  
 5,437,367 A \* 8/1995 Martin ..... A45C 5/14  
 190/107  
 D364,738 S \* 12/1995 Wood ..... D3/260  
 D379,561 S \* 6/1997 Watson ..... D3/260  
 D432,595 S \* 10/2000 Picker ..... D21/522  
 6,129,231 A \* 10/2000 Hsiao ..... F16C 19/00  
 220/324  
 6,530,475 B1 \* 3/2003 Penney ..... G06F 1/1628  
 190/110  
 6,578,708 B2 \* 6/2003 Barnett ..... A45C 13/02  
 190/1  
 6,832,689 B2 \* 12/2004 Cho ..... B25H 3/023  
 206/372  
 7,002,793 B2 \* 2/2006 Imsand ..... G06F 1/16  
 206/320  
 7,278,234 B2 \* 10/2007 Marino ..... A01K 97/22  
 206/315.11  
 D575,060 S \* 8/2008 Snyder ..... D3/291

7,614,521 B2 \* 11/2009 Hsiao ..... H05K 7/18  
 206/745  
 D610,351 S \* 2/2010 Brunner ..... D3/273  
 D618,911 S \* 7/2010 Brunner ..... D3/281  
 7,819,247 B2 \* 10/2010 Gonzalez ..... A45C 9/00  
 190/11  
 7,841,473 B2 \* 11/2010 Huang ..... A45C 5/03  
 206/320  
 7,870,937 B1 \* 1/2011 Arnao ..... A45C 9/00  
 190/1  
 7,938,412 B2 5/2011 Katz  
 D649,342 S \* 11/2011 Sackett ..... D3/203.6  
 D661,082 S \* 6/2012 Wingate, III ..... D3/203.3  
 D663,112 S \* 7/2012 Fulmer Mason ..... D3/203.3  
 D686,817 S \* 7/2013 Dennis ..... D3/206  
 D730,051 S \* 5/2015 Whalen ..... D3/284  
 2002/0063072 A1 5/2002 Pham  
 2012/0247990 A1 10/2012 Hsiao

OTHER PUBLICATIONS

U.S. Appl. No. 14/602,247, Kenji Music et al.

\* cited by examiner

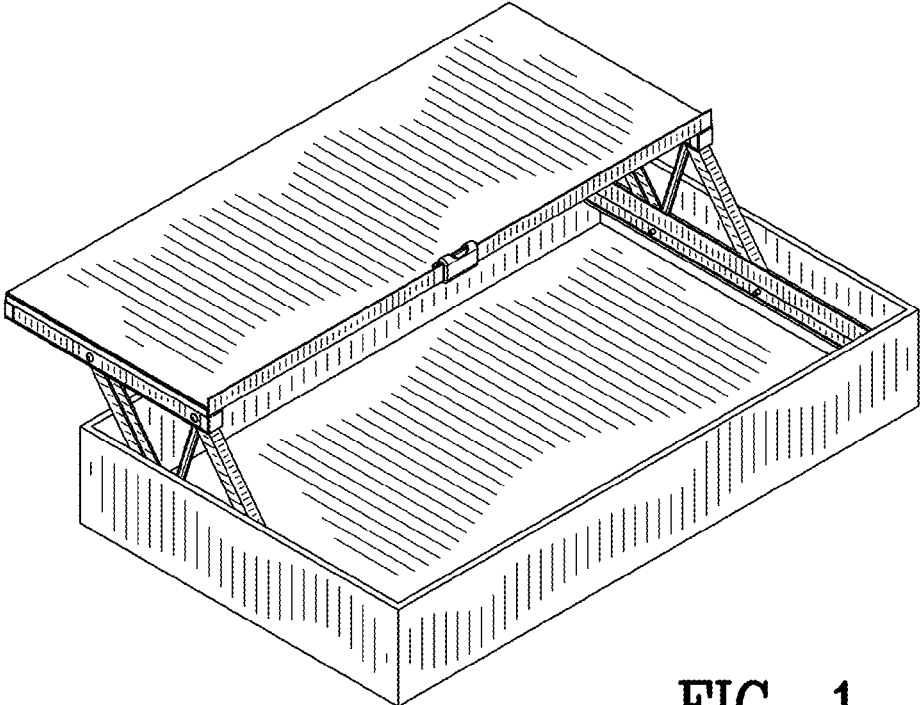


FIG. 1

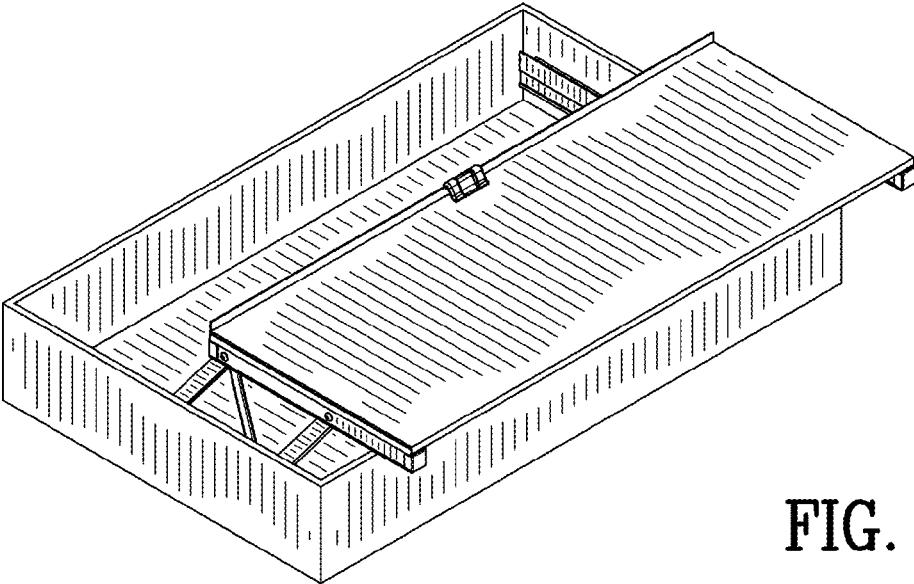


FIG. 2

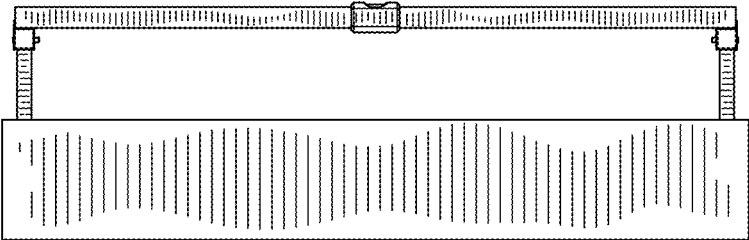


FIG. 3

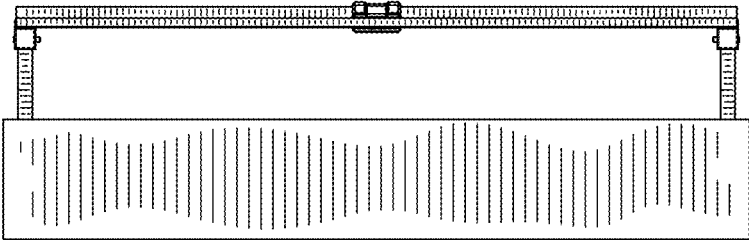


FIG. 4

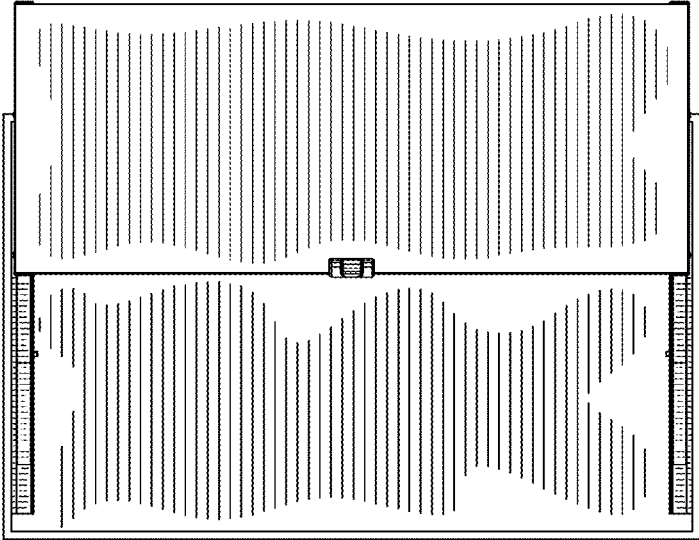


FIG. 5

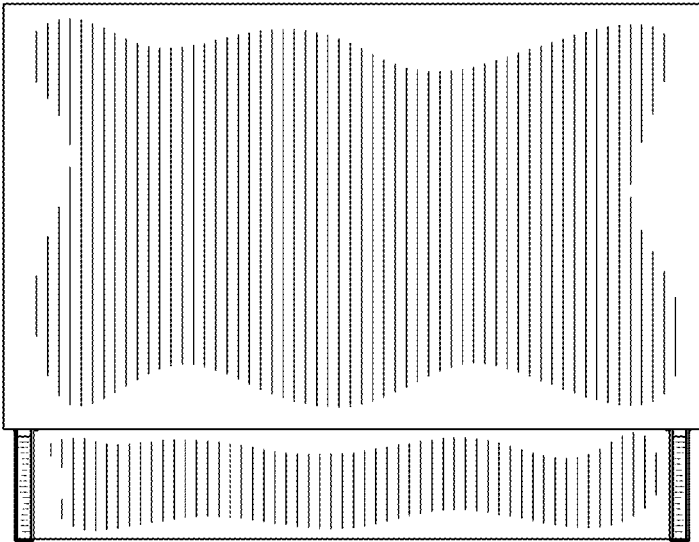


FIG. 6

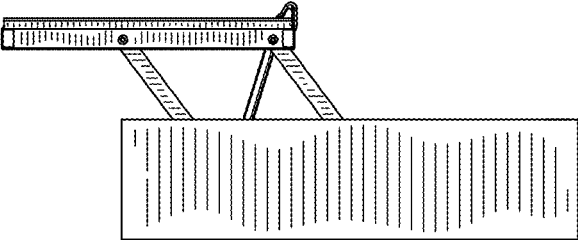


FIG. 7

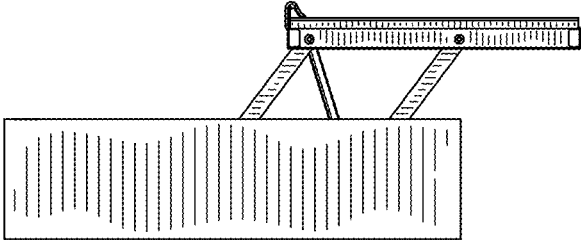


FIG. 8