



US009690960B1

(12) **United States Patent**  
**Lewis**

(10) **Patent No.:** **US 9,690,960 B1**  
(45) **Date of Patent:** **\*Jun. 27, 2017**

(54) **MEMORIAL DATA SYSTEM**

(56) **References Cited**

(71) Applicant: **James Tanner Lewis**, North Port, FL  
(US)

U.S. PATENT DOCUMENTS

(72) Inventor: **James Tanner Lewis**, North Port, FL  
(US)

6,340,978	B1	1/2002	Mindrum
7,014,101	B1	3/2006	Kennedy
7,126,481	B2	10/2006	Vesikivi et al.
7,222,120	B1	5/2007	Mindrum
7,287,225	B2	10/2007	Mindrum
7,348,875	B2	3/2008	Hughes
7,433,649	B2	10/2008	Toulis et al.
7,609,506	B2	10/2009	Aguirre
7,624,344	B2	11/2009	Mindrum et al.
7,657,835	B2	2/2010	Mindrum et al.
7,671,902	B2	3/2010	Mindrum et al.
7,756,467	B2	7/2010	Bent et al.
7,984,380	B2	7/2011	Mindrum
8,326,281	B2	12/2012	Hill
8,433,722	B2	4/2013	Shin et al.
8,909,670	B2	12/2014	Neal et al.
2002/0149468	A1	10/2002	Carrender
2003/0076230	A1	4/2003	Runyon
2003/0120745	A1	6/2003	Katagishi et al.

(\*) Notice: Subject to any disclaimer, the term of this patent is extended or adjusted under 35 U.S.C. 154(b) by 0 days.

This patent is subject to a terminal disclaimer.

(21) Appl. No.: **15/161,977**

(22) Filed: **May 23, 2016**

**Related U.S. Application Data**

(63) Continuation of application No. 14/594,338, filed on Jan. 12, 2015, now Pat. No. 9,350,425.

(60) Provisional application No. 61/926,609, filed on Jan. 13, 2014.

(51) **Int. Cl.**  
**H04B 5/00** (2006.01)  
**G06K 7/10** (2006.01)

(52) **U.S. Cl.**  
CPC ..... **G06K 7/10297** (2013.01); **H04B 5/0031** (2013.01)

(58) **Field of Classification Search**  
CPC ..... B27G 19/02; G06K 7/10366; G06K 19/0723; G06K 19/07773; G06K 19/07345; G06K 7/0008; G06K 7/10009; G06K 7/10198; G06K 7/10386; G06K 7/10475; G06K 15/4045; G06K 17/0022; G06K 19/06037

See application file for complete search history.

(Continued)

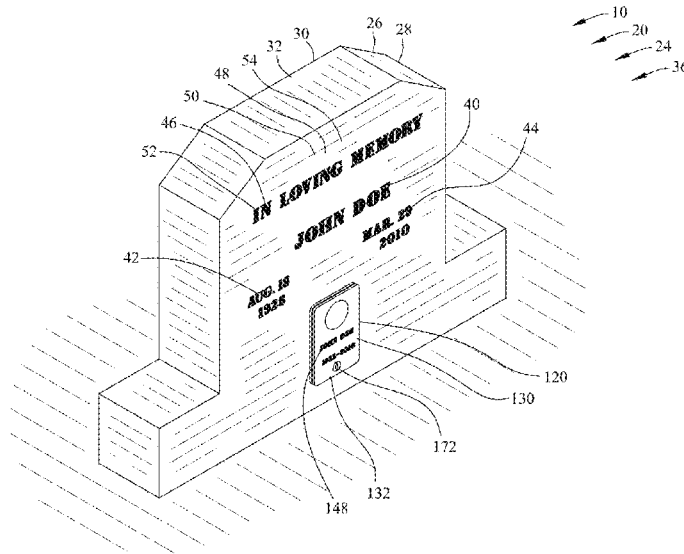
*Primary Examiner* — Mohammed Rachedine

(74) *Attorney, Agent, or Firm* — Frijouf, Rust & Pyle, P.A.

(57) **ABSTRACT**

A memorial data system is disclosed for providing information regarding an object. The memorial data system comprises a marker for identifying the object. A transponder circuit is coupled to the marker. A data is stored within the transponder circuit. A mobile electrical device transmits an electromagnetic field in close proximity to the transponder circuit. The transponder circuit receives the electromagnetic field for powering the transponder circuit. The transponder circuit transmits the data to the mobile electronic device. The mobile electronic device utilizes the data to access an electronic file on a network. The electronic file includes information regarding the object.

**15 Claims, 9 Drawing Sheets**



(56)

**References Cited**

U.S. PATENT DOCUMENTS

2006/0154642	A1	7/2006	Scannell, Jr.	
2007/0288499	A1*	12/2007	Dunko .....	G06K 7/10346
2008/0024307	A1*	1/2008	Wissendheit .....	H01Q 1/22 340/572.7
2008/0178502	A1*	7/2008	Stuchell .....	B60R 13/10 40/200
2009/0224868	A1	9/2009	Liu	
2010/0095559	A1	4/2010	Buckner	
2011/0025473	A1	2/2011	Rokhsaz	
2012/0267427	A1*	10/2012	Ahee .....	E04H 13/003 235/375
2014/0113549	A1*	4/2014	Beg .....	H04W 4/008 455/41.1
2014/0211961	A1	7/2014	Koch	

\* cited by examiner

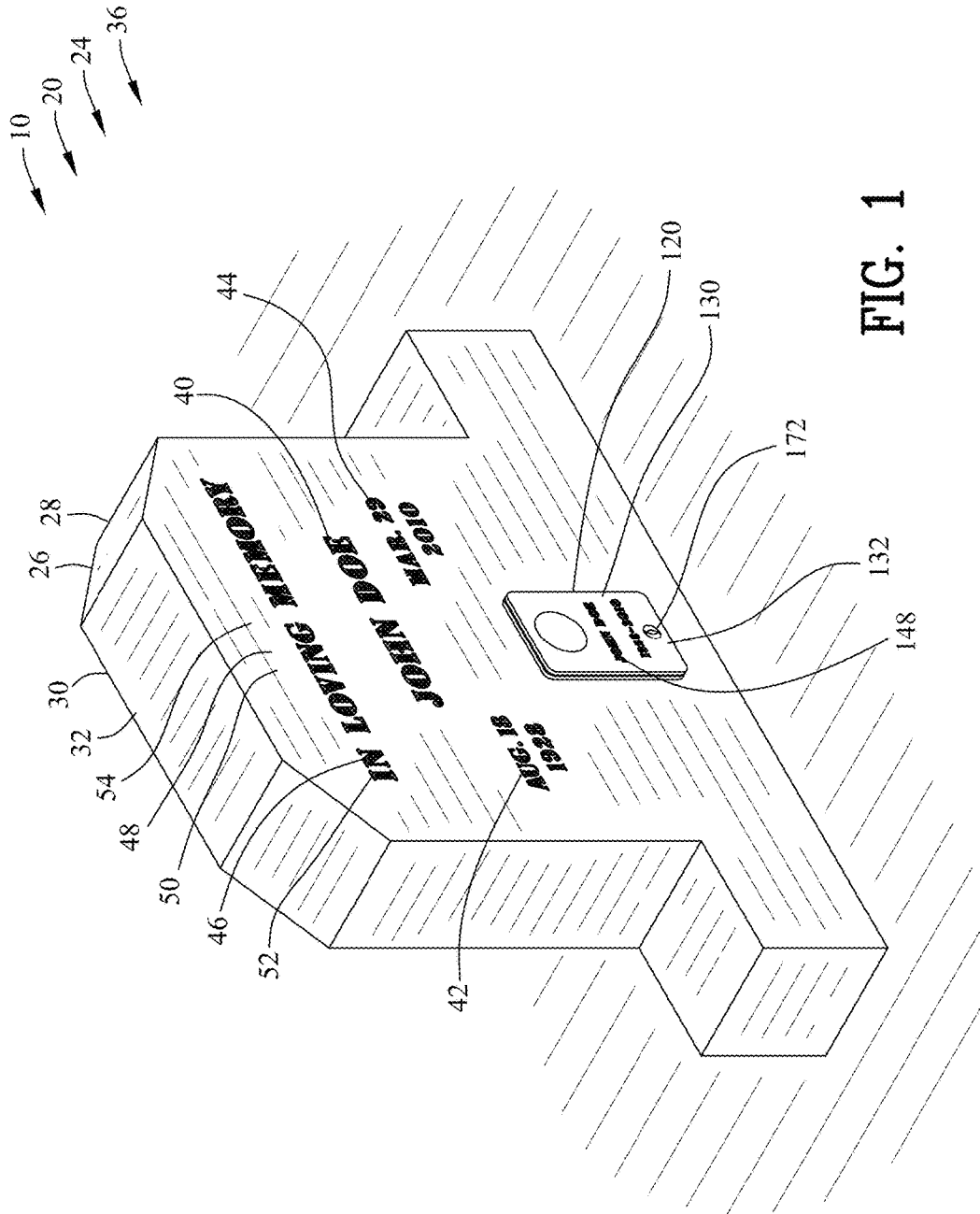
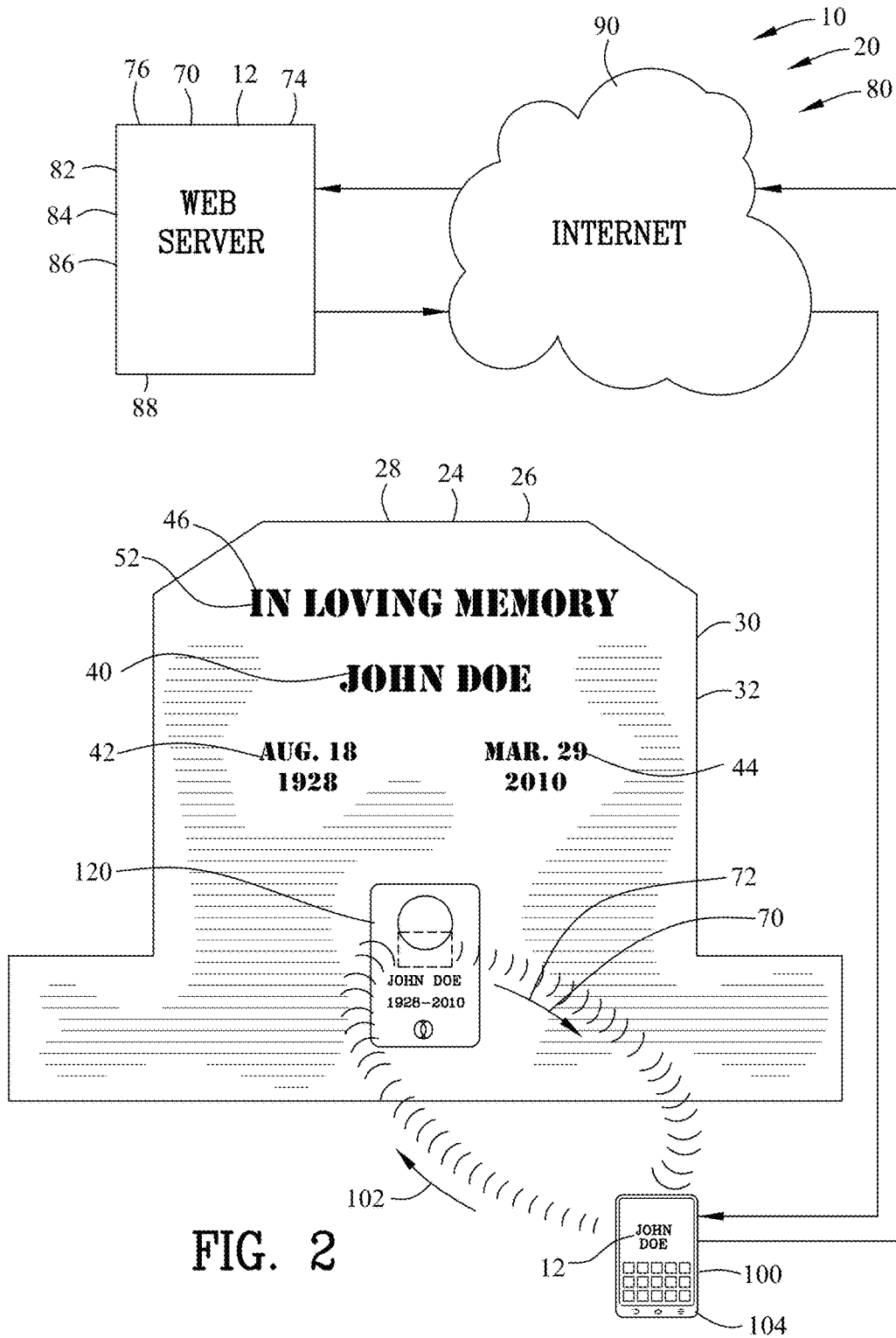


FIG. 1



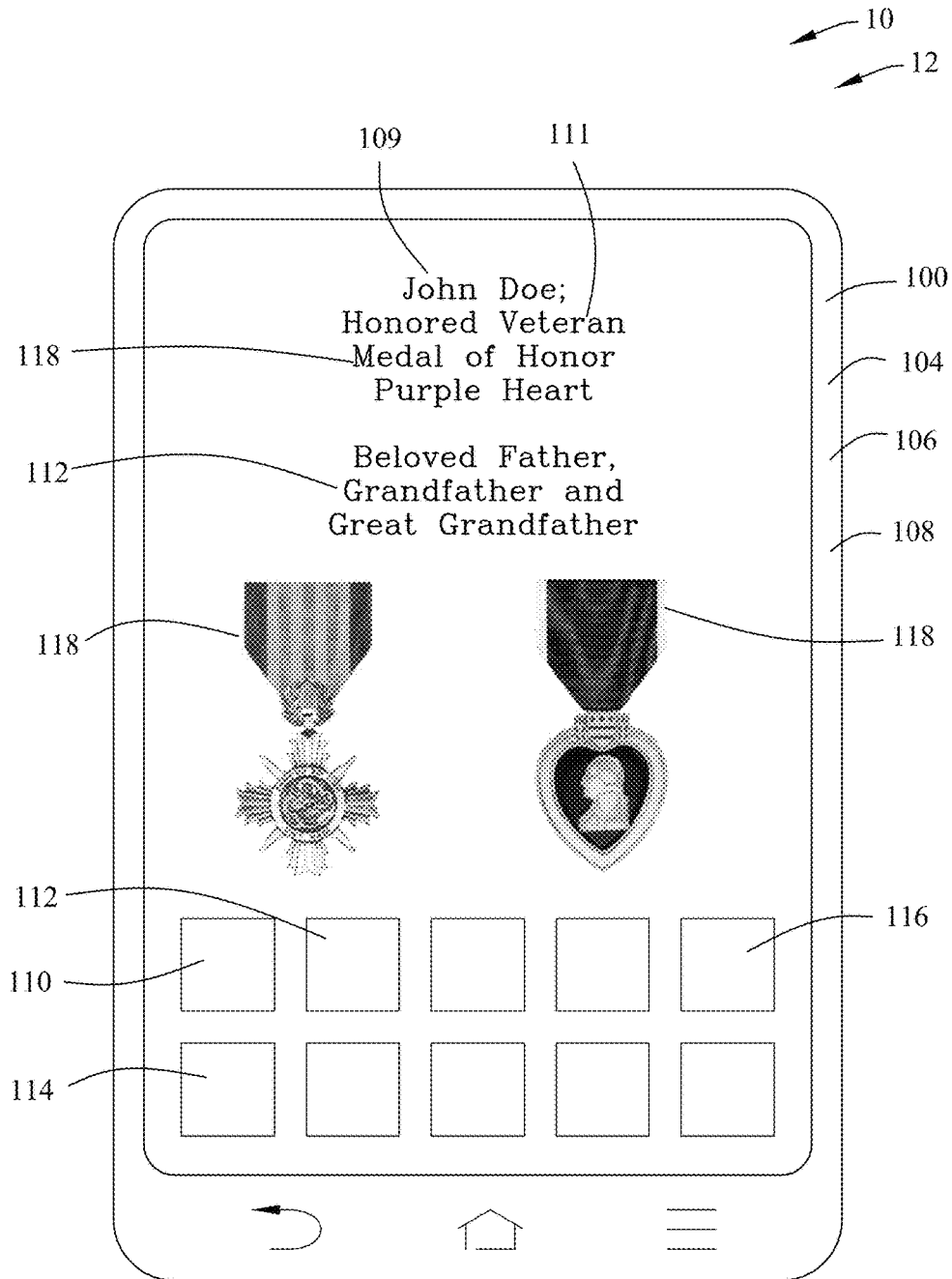


FIG. 3

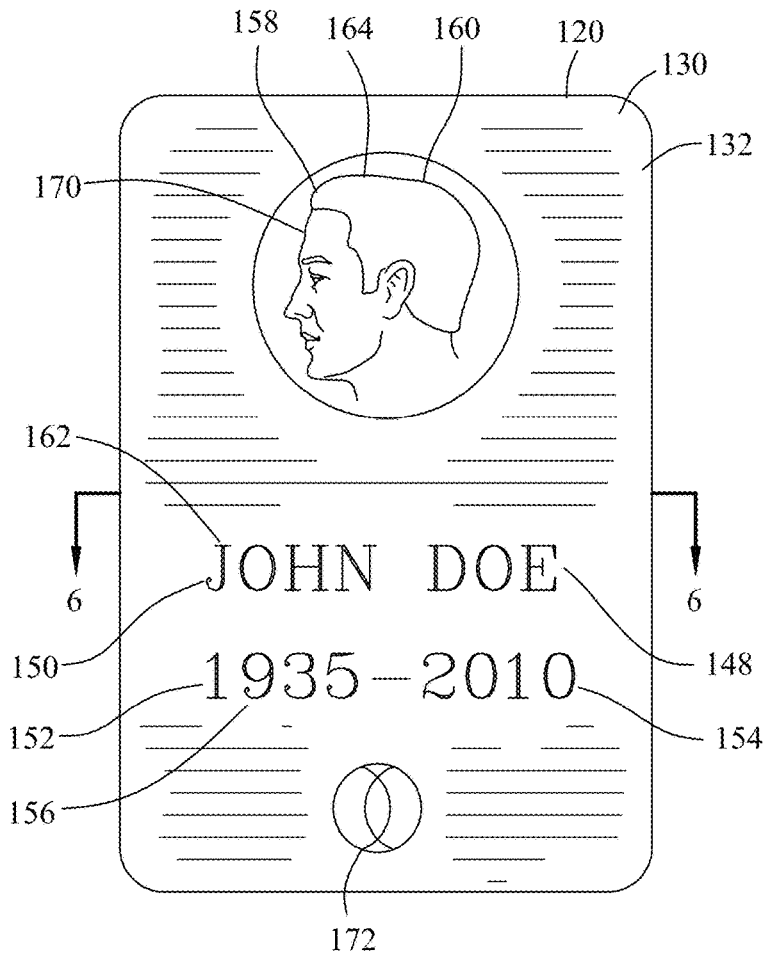


FIG. 4

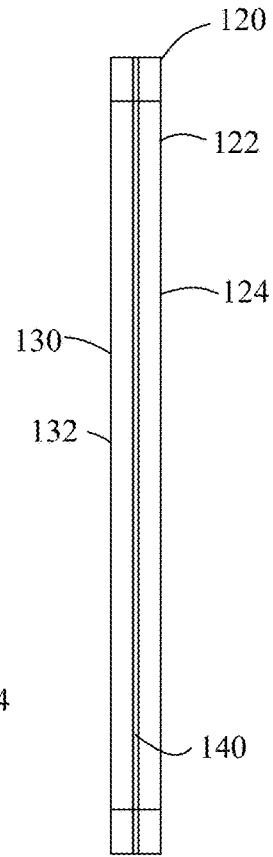


FIG. 5

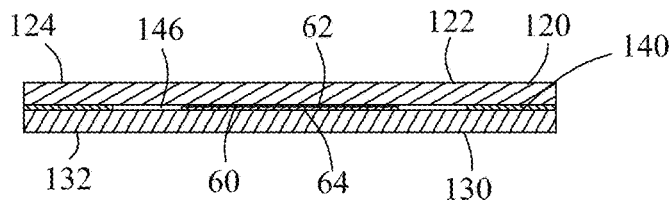


FIG. 6

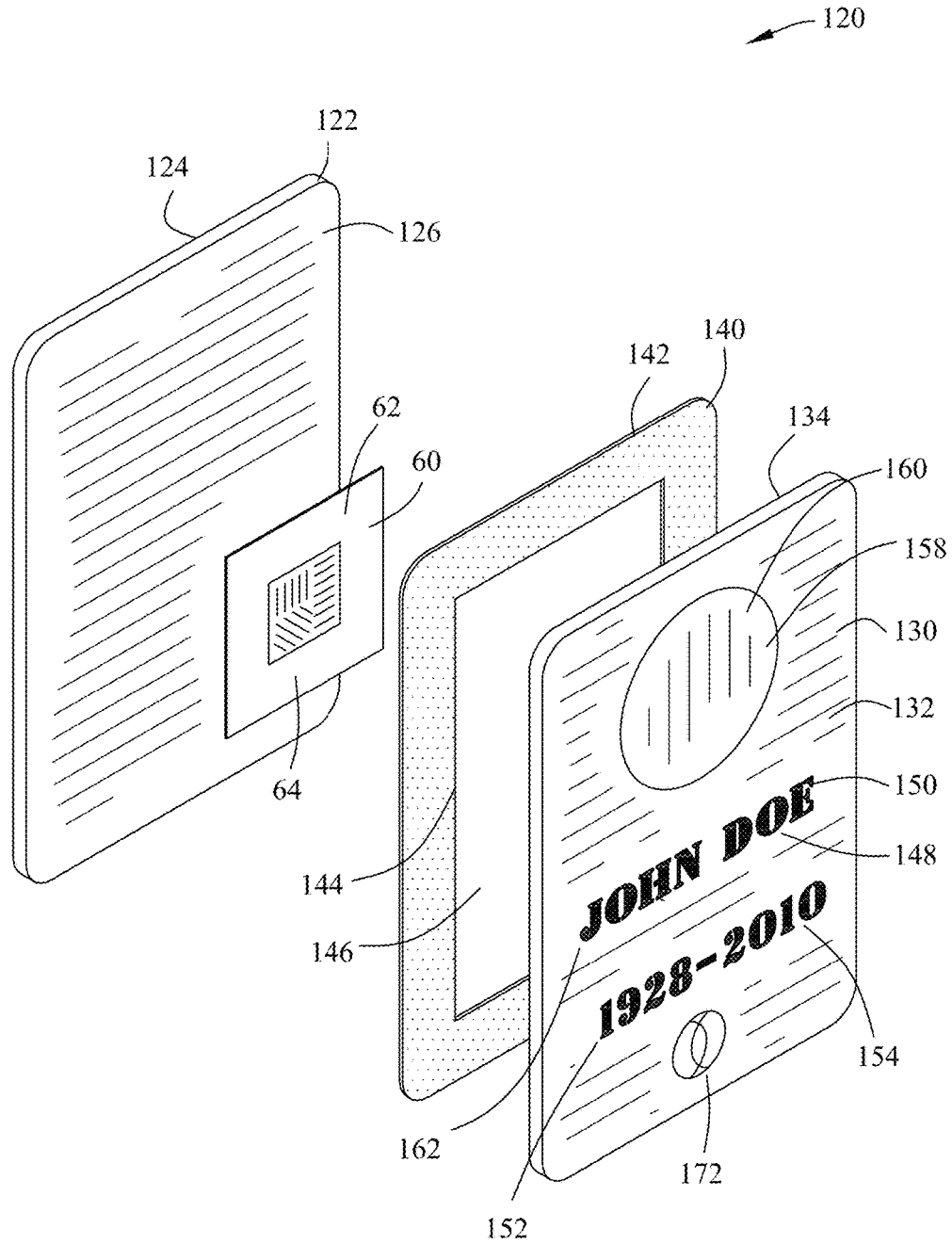
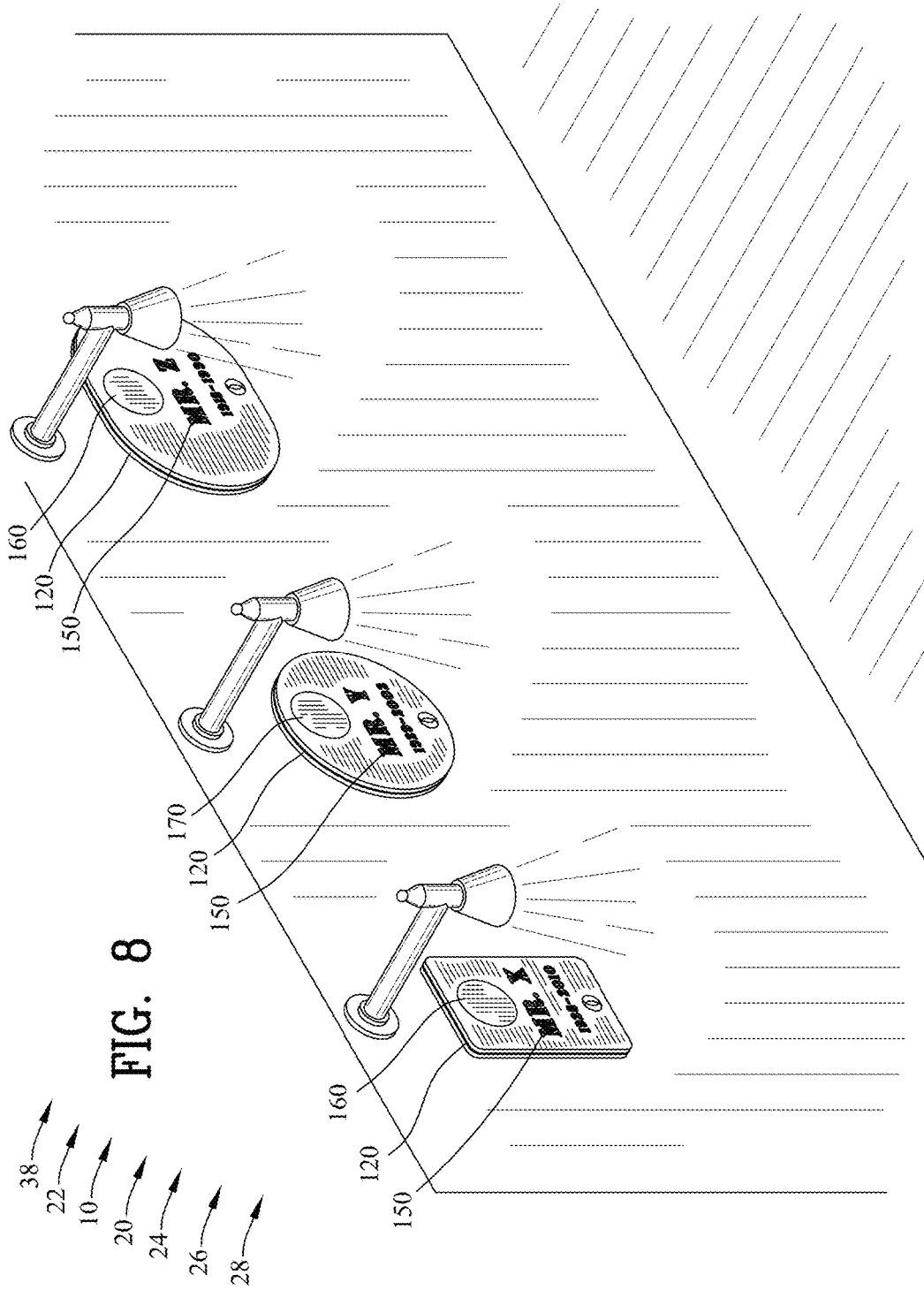


FIG. 7





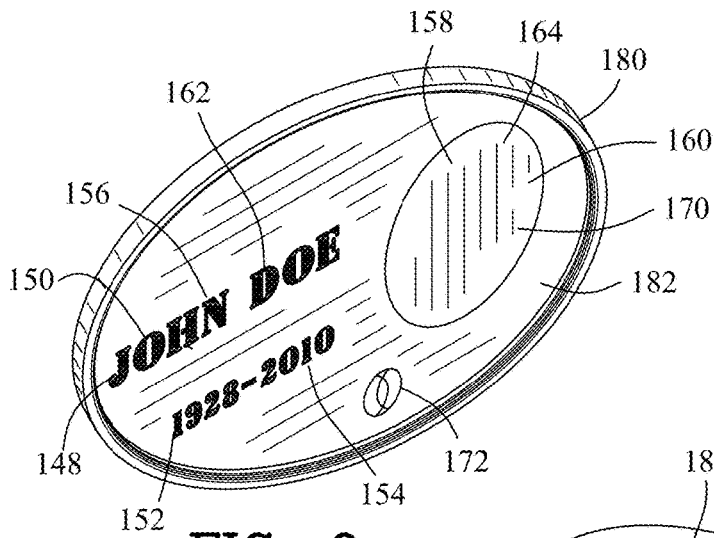


FIG. 9

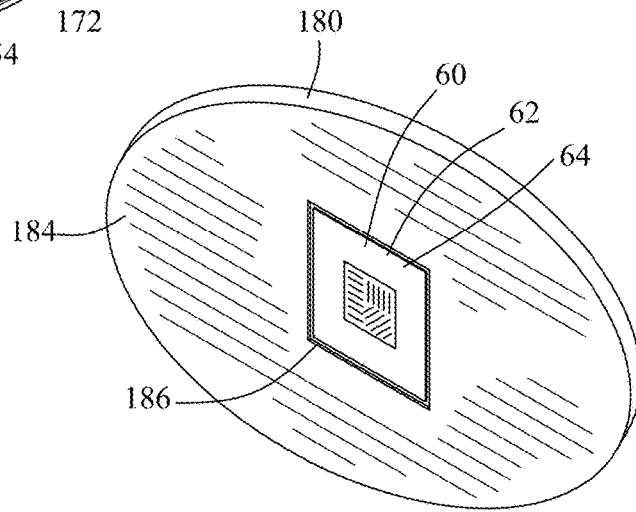


FIG. 10

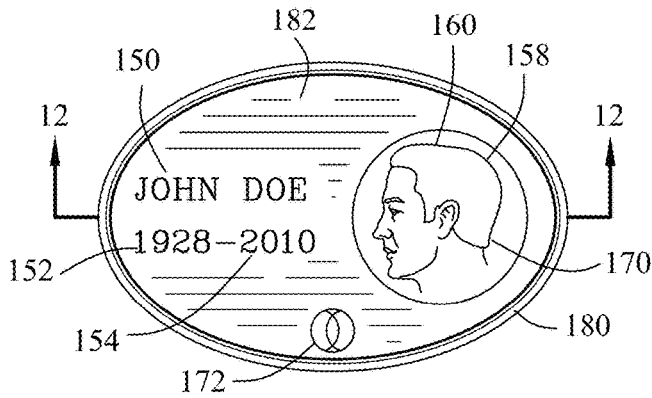


FIG. 11

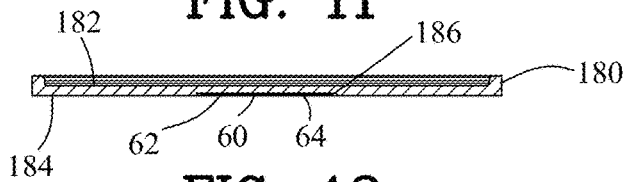


FIG. 12

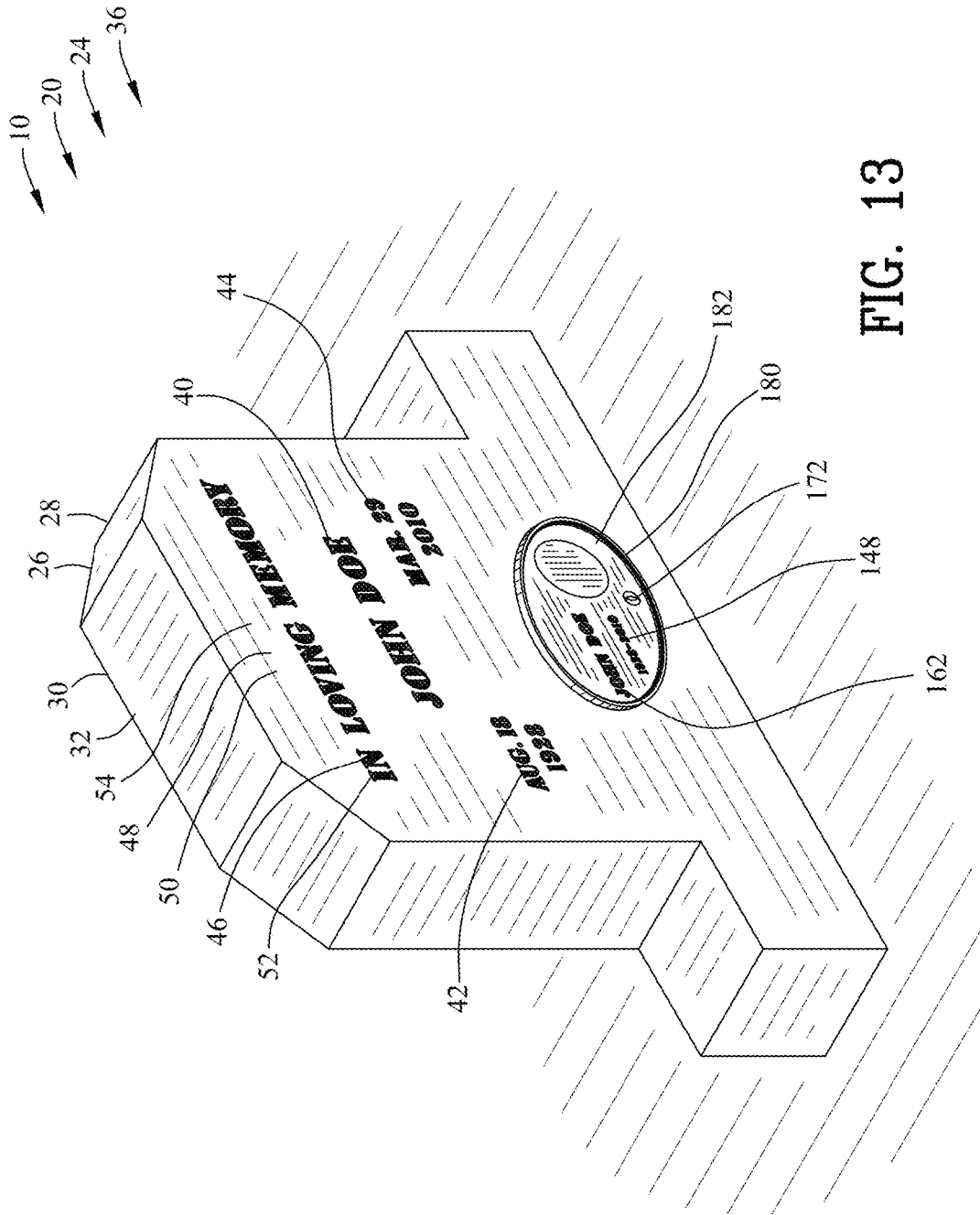


FIG. 13

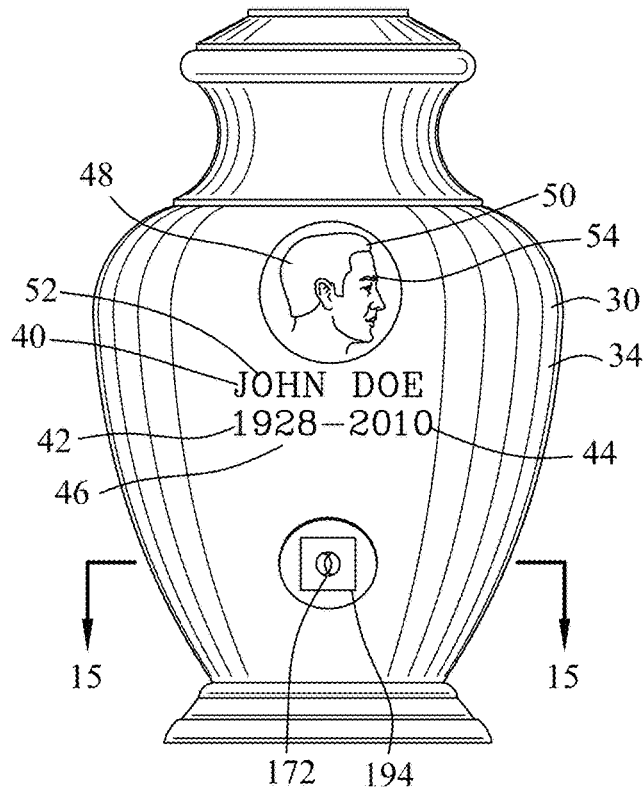
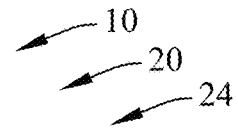


FIG. 14

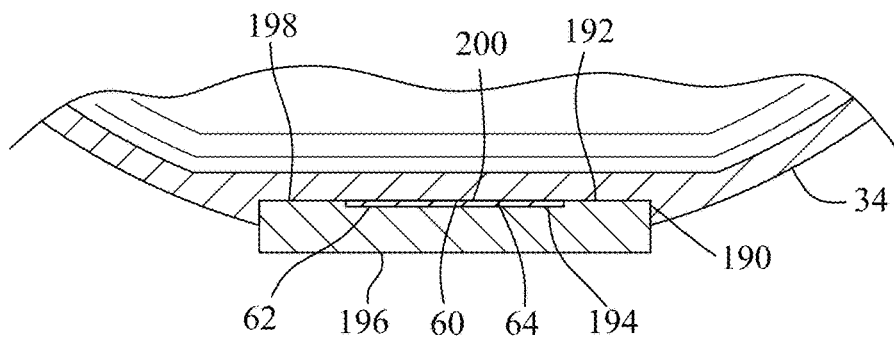


FIG. 15

**MEMORIAL DATA SYSTEM****CROSS-REFERENCE TO RELATED APPLICATIONS**

This application claims benefit of U.S. Patent Provisional application No. 61/926,609 filed Jan. 13, 2014. All subject matter set forth in provisional application No. 61/926,609 is hereby incorporated by reference into the present application as if fully set forth herein.

This application claims benefit of U.S. patent application Ser. No. 14/594,338 filed Jan. 12, 2015. All subject matter set forth in application Ser. No. 14/594,338 is hereby incorporated by reference into the present application as if fully set forth herein.

**BACKGROUND OF THE INVENTION****Field of the Invention**

This invention relates to a data system and more particularly to a memorial data system for providing information regarding an object.

**Background of the Invention**

Memorials of persons, places or events are traditionally honored with a physical reminder of the past. With memorials of deceased persons the common memorial is a tombstone, engraved, but with very limited information thereon. Busts or statues of persons, both living and deceased are often displayed to remind the visitor of the person. Again, only a limited amount of information may accompany the person's likeness. Plaques are generally used to memorialize the significance of a place or an event, and again, only a limited amount of information may be displayed.

The common deficiency with these memorials is the limited amount of information that may be provided to the visitor of the memorial. As years pass, memories of the person, place or event fades and is therefore lost to the new visitor to the memorial. The need for a system capable of providing an unlimited amount of information is well established.

The memorial visitor must be able to easily access the information without interfering with other visitors, some of whom may not be interested in the detailed information.

The available information may be in text, audio, still photo or video form. The information available to the visitor should be off site in order to allow the person(s) providing the information the ability to easily modify the available information

Some in the prior art have incorporated computer based systems with limited success. The use of near field transmitters to trigger some systems has also shown promise.

There have been many in the prior art who have attempted to solve these problems with varying degrees of success. None, however completely satisfies the requirements for a complete solution to the aforesaid problem. The following U.S. Patents are attempts of the prior art to solve this problem.

U.S. Pat. No. 6,340,978 to Mindrum discloses a user interface on a computer system which displays information about an entity, such as a person, a business, a pet, a country, etc. The screen is associated with the entity. A plurality of recordations are associated with the entity. The recordations are of at least two different types and are associated with the period of time. A plurality of selection mechanisms are on the screen. Each of the selection mechanisms are associated with at least one type of recordation. A time selection mechanism is adapted for selecting a period of time. The

time selection mechanism is associated with at least a portion of the plurality of recordations and is operative to present one or more recordations which correspond with the selected period of time. The user interface can be accessed over a computer, either as a stand-alone or over a network, whereas on a memorial such as in a headstone

U.S. Pat. No. 7,014,101 to Kennedy discloses an internet-facilitated system and method for retrieval of ancestral information relating to a deceased person. A medallion is permanently attached to a gravestone at the gravesite of the deceased person. The medallion bears viewable indicia including an identification number (I.D.) facing outwardly when the medallion is permanently attached to the gravestone. The I.D. is assigned is unique to the deceased person. A host computer database is configured to include ancestral information related to the deceased person retrievable via the Internet from a remote personal computer (P.C.) terminal. The information typically includes known ancestors, descendants, family history genetic/DNA profiles and exact geographic location of the gravesites of each of the deceased persons subscribed to the system according to each particular I.D. whereby individuals interested in obtaining the ancestral information with respect to a particular decedent, once knowing the particular I.D. on the medallion affixed to the gravestone, may do so by accessing the database via the internet from the remote P.C. and referencing the particular I.D.

U.S. Pat. No. 7,126,481 to Vesikivi, et al. discloses Systems, devices and methods for providing dynamic tailored product information to mobile terminals as a result of reading short-range wireless communication tags, such as RFID tags. The invention is able to provide consumer related product information to consumer operated terminals and retailer related product information to retailer or employee operated terminals, without requiring separate transponders or unique reading devices. In addition, the invention is able to accomplish providing dynamic information in a highly efficient and user-friendly manner and without requiring additional memory at the tag level.

U.S. Pat. No. 7,222,120 to Mindrum discloses methods of providing a registry service and a registry service. A remote storage location houses information regarding an entity or an event, and from time to time the remote storage location receives information regarding the entity or the event. Further, a string associated with a good identifies the storage location, whereupon remote access to the storage location may be achieved, if a proper access level is present. Moreover, a registry service includes an identifying string located on a good along with a tag that uniquely identifies an entity or an event. The service controls storage, which is logically segmented and associated with the tag, and an access set of executable instructions is operable to provide remote access to the logically segmented storage using identifying information to determine the tag. Information regarding the entity and event may also be warehoused such that specific data regarding the entity or event is retrievable remotely upon a request

U.S. Pat. No. 7,287,225 to Mindrum discloses a user interface on a computer system which displays information about an entity, such as a person, a business, a pet, a country, etc. The screen is associated with the entity. A plurality of recordations are associated with the entity. The recordations are of at least two different types and are associated with the period of time. A plurality of selection mechanisms are on the screen. Each of the selection mechanisms are associated with at least one type of recordation. A time selection mechanism is adapted for selecting a period of time. The

time selection mechanism is associated with at least a portion of the plurality of recordings and is operative to present one or more recordings which correspond with the selected period of time. The user interface can be accessed over a computer, either as a stand-alone or over a network, whereas on a memorial such as in a headstone.

U.S. Pat. No. 7,433,649 to Toulis, et al. discloses a tag which can be associated with one or more individuals and/or a connection to a predetermined network resource, and which can be used to facilitating interaction of the wireless communication device with the corresponding individual(s) and/or resource. The tag includes a transmitter and a storage element including an ID value, which associates the tag with the individual(s) and/or resource. In at least some instances the tag will additionally include a trigger element, such as a user actuable switch, which will enable an action to be initiated in the nearby wireless communication device, relative to the associated individual(s) and/or resource, in response to an actuation of the trigger element in the tag.

U.S. Pat. No. 7,609,506 to Aguirre discloses a multimedia player used in conjunction with a grave marker to pay tribute to a decedent. A main body portion of the player supports an opaque solar panel portion that also provides a barrier protecting a video screen on the main body portion of the multimedia player from sunlight damage. The solar panel is hinged as a door over the screen and has a wireless interface to a memory card player of the main body portion. The solar panel provides a recharging voltage via the wireless interface to the electronics module to recharge a lithium ion battery that powers the multimedia player. A flash memory reader contains the tribute on a memory card of any format.

U.S. Pat. No. 7,624,344 to Mindrum, et al. discloses a method and system for creating a commemorative presentation. The subject of the commemoration can take a variety of forms, including living or deceased individuals, organizations, entities, companies, cities, and the like. A plurality of images are compiled related to the subject. Configuration data is created relating to the display of the plurality of images. The plurality of images and configuration data are stored in a datastore. A video is dynamically created by accessing the plurality of images and configuration data stored in the datastore and sequentially displaying the plurality of images stored in the datastore in conformance with the configuration data stored in the datastore. While the invention has utility in a number of different applications, one particularly well suited application is in the death care industry for creating commemorative videos for the recently deceased.

U.S. Pat. No. 7,657,835 to Mindrum, et al. discloses a method and system for creating a commemorative presentation. The subject of the commemoration can take a variety of forms, including living or deceased individuals, organizations, entities, companies, cities, and the like. A plurality of images are compiled related to the subject. Configuration data is created relating to the display of the plurality of images. The plurality of images and configuration data are stored in a database. A video is dynamically created by accessing the plurality of images and configuration data stored in the datastore and sequentially displaying the plurality of images stored in the datastore in conformance with the configuration data stored in the datastore. While the invention has utility in a number of different applications, one particularly well suited application is in the death care industry for creating commemorative videos for the recently deceased.

U.S. Pat. No. 7,671,902 to Mindrum, et al. discloses images captured at a venue and relating to one or more

patrons of the venue incorporated into one or more products in accordance with image selections and/or product selections made by the patron(s). The images may be captured at venues with a variety of image capture devices such as pre-mounted cameras, cell phones, cameras brought by patrons to the venue, or cameras provided to patrons by the venue or another entity. The patrons may obtain products such as T-shirts, coffee mugs, prints, slideshows, or other products incorporating one or more selected images. Patrons may also view the images on portable electronic devices.

U.S. Pat. No. 7,756,467 to Bent, et al. discloses a wireless communication device including a Near Field Communication (NFC) interface, a transceiver, and a controller. The NFC interface receives data related to multimedia content from an external NFC tag responsive to establishing an NFC link with the NFC tag. Based on the received data, the controller establishes a communication link with a multimedia server via a wireless communication network, and controls the multimedia server to download information associated with the multimedia content to a user-specified destination device.

U.S. Pat. No. 7,984,380 to Mildrum discloses UnitBook definitions which can be dynamically created based on content provided by a user. Such dynamic creation can include organization of user-supplied content into appropriate form, adjustment of book cover properties to match the user-supplied content, and verification that the user supplied content is appropriate for presentation in book form. Various interfaces can also be provided which allow users to generate a book definition based on a minimum of information.

U.S. Pat. No. 8,326,281 to Hill discloses a wireless communications system which may include a near field communication (NFC) reference device configured to store object reference data for at least one object associated with a geographic location of the NFC device. The wireless communications system may also include a mobile wireless communications device that includes an NFC transceiver configured to communicate with the NFC device based upon proximity thereto, an image sensor, a display, and a controller. The controller may cooperate with the NFC transceiver, the image sensor, and the display. The controller may be configured to determine a sensed image from the image sensor. The controller may also be configured to select object reference data for the sensed image based upon communication with the NFC reference device, and display the object reference data and the sensed image on the display.

U.S. Pat. No. 8,433,722 to Shin, et al. discloses an objection identification system including a virtual object database (DB) in which a plurality of virtual objects is stored and a target virtual object. The virtual objects includes an attribute data set including an attribute value of a real object and a service data set including a service data related to the real object. The target virtual object determining part receives a real object identification data of a target real object previewed by a terminal to compute an attribute value of the target real object, and determines a virtual object having an attribute value matched to an attribute value of the computed target real object of plural virtual objects stored in the virtual object DB as a target virtual object. In this case, a service data included in the service data set of the determined target virtual object by the target virtual object determining part is transmitted to the terminal. Thus, it may provide Internet type based on a real object over a conventional Internet concept handing a virtual object. In addition, easy and intuitive wireless Internet environment may be realized, and various Internet service and new higher value-added business may be created.

United States Patent Application number 2003/0120745 to Katagishi, et al. discloses the present invention which makes possible smooth acquisition of product information from a server over a network and display of the information. A product is provided with an RFID. When the user operates a cellular phone to read information from the RFID, the phone calls the RFID by transmitting RF waves to it. Upon receiving response data from the RFID, the cellular phone extracts a server access address and product ID from the data without awaiting the user's instructions to acquire information, and automatically accesses the product information server, based on the server access address. The information acquired from the product information server is displayed on the cellular phone screen. Thereby, the user can promptly have the information about the product.

Although the aforementioned prior art have contributed to the development of the art of providing comprehensive amounts of information at memorial sites and elsewhere, none of these prior art patents have solved the needs of this art.

Therefore, it is an object of the present invention to provide an improved apparatus for the dissemination of unlimited amounts of information at a memorial site.

Another object of this invention is to provide an improved apparatus that is simple for the operator to use.

Another object of this invention is to provide an improved apparatus that is easy to cost effectively produce.

The foregoing has outlined some of the more pertinent objects of the present invention. These objects should be construed as being merely illustrative of some of the more prominent features and applications of the invention. Many other beneficial results can be obtained by modifying the invention within the scope of the invention. Accordingly other objects in a full understanding of the invention may be had by referring to the summary of the invention, the detailed description describing the preferred embodiment in addition to the scope of the invention defined by the claims taken in conjunction with the accompanying drawings.

#### SUMMARY OF THE INVENTION

The present invention is defined by the appended claims with specific embodiments being shown in the attached drawings. For the purpose of summarizing the invention, the invention relates to a memorial data system for providing information regarding an object. The object may include a living individual, a deceased individual, a memorial or other items or objects. The memorial data system comprises a marker for identifying the object. A transponder circuit is coupled to the marker. A data is stored within the transponder circuit. A mobile electrical device transmits an electromagnetic field in close proximity to the transponder circuit. The transponder circuit receives the electromagnetic field for powering the transponder circuit. The transponder circuit transmits the data to the mobile electronic device. The mobile electronic device utilizes the data to access an electronic file on a network. The electronic file includes information regarding the object.

In a more specific embodiment of the invention, a plaque housing has a rear plaque plate and a front plaque plate. The rear plaque plate includes an exterior side and an interior side. The front plaque plate includes an exterior side and an interior side. An adhesive gasket layer couples the interior side of the rear plaque plate with the interior side of the front plaque plate. The adhesive gasket defines a plaque void between the rear plaque plate with the front plaque plate. The transponder circuit is positioned within the plaque void.

The exterior side of the rear plaque is coupled to the marker. The exterior side of the front plaque includes a second personal information.

In another embodiment of the invention, a plaque plate includes a front side and a rear side. A circuit recess is in the rear side of the plaque plate for receiving the transponder circuit. The rear side of the plaque plate is coupled to the marker. The front side of the plaque plate includes a second personal information.

The foregoing has outlined rather broadly the more pertinent and important features of the present invention in order that the detailed description that follows may be better understood so that the present contribution to the art can be more fully appreciated. Additional features of the invention will be described hereinafter which form the subject of the claims of the invention. It should be appreciated by those skilled in the art that the conception and the specific embodiments disclosed may be readily utilized as a basis for modifying or designing other structures for carrying out the same purposes of the present invention. It should also be realized by those skilled in the art that such equivalent constructions do not depart from the spirit and scope of the invention as set forth in the appended claims.

#### BRIEF DESCRIPTION OF THE DRAWINGS

For a fuller understanding of the nature and objects of the invention, reference should be made to the following detailed description taken in connection with the accompanying drawings in which:

FIG. 1 is an isometric view of a headstone having a transponder circuit embedded within a plaque housing incorporating the present invention;

FIG. 2 is a front view of FIG. 1 wherein a mobile electrical device activates the transponder circuit and thereafter wirelessly retrieving data;

FIG. 3 is an enlarged view of a portion of FIG. 2 illustrating the mobile electrical device displaying the retrieved data;

FIG. 4 is an enlarged view of a portion of FIG. 1 illustrating the plaque housing;

FIG. 5 is a side view of FIG. 4;

FIG. 6 is a sectional view along line 6-6 in FIG. 4;

FIG. 7 is an exploded view of the plaque housing of FIG. 4;

FIG. 8 is an isometric view of a plurality of plaque housings for multiple subject matters coupled to a wall;

FIG. 9 is an isometric view of a plaque plate for receiving the transponder circuit;

FIG. 10 is a rear view of FIG. 9 illustrating a circuit recess for positioning the transponder circuit within the plaque plate;

FIG. 11 is a front view of FIG. 10 illustrating the plaque plate including a second personal information and a transponder circuit symbol;

FIG. 12 is a sectional view along line 12-12 in FIG. 11;

FIG. 13 is a view similar to FIG. 1 illustrating the plaque plate of FIG. 9 coupled to the headstone;

FIG. 14 is a front view of a urn including a circuit housing for receiving the transponder circuit; and

FIG. 15 is a sectional view along line 15-15 in FIG. 14. Similar reference characters refer to similar parts throughout the several Figures of the drawings.

#### DETAILED DISCUSSION

FIGS. 1-15 illustrate a memorial data system 10 for providing information regarding an object 20. The object

may include a living individual **22**, a deceased individual **24**, a memorial **26**, a monument **28** or other items or objects. FIGS. **1-15** illustrate the object **20** including a deceased individual **24**. FIGS. **1, 2** and **13** include a marker **30**. More specifically, in FIGS. **1, 2** and **13** the marker **30** includes a headstone **32**. However, the marker **30** may further include an urn **34** as illustrated in FIGS. **14** and **15**. The marker **30** may also include a burial vault **36**. FIG. **8** illustrates the marker **30**, including a memorial **26** of multiple individuals **38**, which may include sporting halls of fame, governmental monuments, musical composer memorial or other references to deceased individuals. The marker **30** identifies the object **20** so that a passerby will be able to identify the object **20** visually. The marker **30** may include the individual's name **40**, date of birth **42**, date of death **44**, message **46**, picture **48**, photograph **50**, text **52** and or designs **54**.

As best shown in FIGS. **6, 7, 10, 11** and **15**, a transponder circuit **60** is coupled to the marker **30**. The transponder circuit **60** may include a near field communications circuit **62** hereinafter referred to as NFC **62**. The NFC **62** may include a type 2 programmable, read only NFC **64**. The NFC **64** is programmed to include a data **70**. The data **70** may include a uniform resource locator **72**, hereinafter referred to as a URL **72**. The URL **72** may be associated with an electronic file **74** or webpage file **76** located within a network **80** or an online memorial database **82**. The atomic file **74** or webpage file **76** may include a HTML document **84**, a PHP document **86** or other electronic mediums. The online memorial database **82** may be stored within a Web server **88**. The Web server **88** may be accessed through the World Wide Web or Internet **90**.

As shown in FIGS. **2** and **3**, a mobile electrical device **100** transmits an electromagnetic field **102** in close proximity to the transponder circuit **60**. The mobile electrical device **100** may include mobile phone **104**, tablet **106**, mobile personal computer **108** or other electrical devices. The transponder circuit **60** receives the electromagnetic field **102** for powering the transponder circuit **60**. The transponder circuit **60** thereafter transmits the data **70** wirelessly to the mobile electronic device **100**. The mobile electronic device **100** utilizes the data **70** to access an electronic file **74** or webpage file **76** on a network **80**. The electronic file **74** or webpage file **76** includes information **12** regarding the object **20**.

As shown in FIG. **3**, if the object **20** includes a headstone **32** of a deceased individual **24**, the information **12** may include a name of the deceased individual **109**, date of birth and death **111**, biographic history **110**, family tree **112**, photographs **114**, movies **116**, awards **118**. The information **12** may also include any other information regarding the individuals past, accomplishments, education, humorous information, humorous videos, the individuals preferred charitable organizations, family contact information, videos of speeches or lectures the individual performed, further links to the individual's other deceased family members, a map of the cemetery illustrating the location of the individual's other deceased family members location within the cemetery.

FIGS. **1-8** illustrate the transponder circuit **60** being positioned within a plaque housing **102**. The plaque housing **102** has a rear plaque plate **122** and a front plaque plate, **130**. The rear plaque plate **122** includes an exterior side **124** and an interior side **126**. The front plaque plate **130** includes an exterior side **132** and an interior side **134**. An adhesive gasket layer **140** couples the interior side **126** of the rear plaque plate **122** with the interior side **134** of the front plaque plate **130**. Preferably, the adhesive gasket layer **140** includes a double-sided continuous adhesive strip **142** that

defines an adhesive aperture **144**. The adhesive aperture **144** of the adhesive gasket layer **140** defines a plaque void **146** between the rear plaque plate **122** with the front plaque plate, **130**. The transponder circuit **60** is positioned within the plaque void **146**.

The exterior side **124** of the rear plaque plate **122** is coupled to the marker **30** by an adhesive or a sealant material. The exterior side **132** of the front plaque plate **130** includes a second personal information **148**. The second personal information **148** may include the individual's name **150**, date of birth **152**, date of death **154**, message **156**, picture **158**, photograph **160**, text **162** and or designs **164**.

The plaque housing **120** may be constructed of a ceramic porcelain material. The exterior side **132** of the front plaque plate **130** may include a photograph **170** of the deceased individual wherein the photograph **170** is fired into the ceramic porcelain material. Alternatively, the plaque housing **120** may be constructed of a polymeric, metallic or other rigid materials.

The exterior side **132** of the front plaque plate **130** may further include a transponder circuit symbol **172**. The transponder circuit symbol **172** provides notice to the passerby of the transponder circuit **60** positioned within the plaque housing **120**. The transponder circuit symbol **172** may include a word mark, logo, composite mark or other symbol.

FIGS. **9-13**, illustrate the transponder circuit **60** being positioned within a plaque plate **180**. The plaque plate **180** includes a front side **182** and a rear side **184**. A circuit recess **186** is in the rear side **184** of the plaque plate **180** for receiving the transponder circuit **60**. The rear side **184** of the plaque plate **180** is coupled to the marker **30**. The rear side **184** of the plaque plate **180** is coupled to the marker **30** by an adhesive or a sealant material. The front side **182** of the plaque plate **180** may include a second personal information **148** including the individual's name **150**, date of birth **152**, date of death **154**, message **156**, picture **158**, photograph **160**, text **162** and or designs **164**.

The plaque plate **180** may be constructed of a ceramic porcelain material. The front side **182** of the plaque plate **180** may include a photograph **170** of the deceased individual wherein the photograph **170** is fired into the ceramic porcelain material. Alternatively, the plaque plate **180** may be constructed of a polymeric, metallic or other rigid materials.

The front side **182** of the plaque plate **180** may further include a transponder circuit symbol **172**. The transponder circuit symbol **172** provides notice to the passerby of the transponder circuit **60** positioned within the plaque plate **180**. The transponder circuit symbol **172** may include a word mark, logo, composite mark or other symbol.

FIGS. **14** and **15**, illustrate the transponder circuit **80** being positioned within an urn **34**. The urn **34** includes a recessed groove **190**. The recessed groove **190** includes a flat back surface **192** for maintaining the transponder circuit **80** in a linear orientation. A circuit housing **194** includes a front side **196** and a rear side **198**. The rear side **198** of the circuit housing and **94** has a circuit recess **200** for receiving the transponder circuit **60**. The rear side **198** of the circuit housing **194** is inserted into the recessed groove **190** for coupling the circuit housing **194** to the urn **34** and encapsulating the transponder circuit **60** into the urn **34**.

The front side **196** of the circuit housing **194** may include a second personal information **148** including the individual's name **150**, date of birth **152**, date of death **154**, message **156**, picture **158**, photograph **160**, text **162** and or designs **164**.

The circuit housing **194** may be constructed of a ceramic porcelain material. The front side **196** of the circuit housing **194** may include a photograph **170** of the deceased indi-

9

vidual wherein the photograph 170 is fired into the ceramic porcelain material. Alternatively, the circuit housing 194 may be constructed of a polymeric, metallic or other rigid materials.

The front side 196 of the circuit housing 194 may further include a transponder circuit symbol 172. The transponder circuit symbol 172 provides notice to the passerby of the transponder circuit 60 positioned within the circuit housing 194. The transponder circuit symbol 172 may include a word mark, logo, composite mark or other symbol.

The present disclosure includes that contained in the appended claims as well as that of the foregoing description. Although this invention has been described in its preferred form with a certain degree of particularity, it is understood that the present disclosure of the preferred form has been made only by way of example and that numerous changes in the details of construction and the combination and arrangement of parts may be resorted to without departing from the spirit and scope of the invention.

What is claimed is:

1. A memorial data system for providing information regarding a memorial, the memorial data system, comprising:

a marker for identifying the memorial;  
 a transponder circuit coupled to said marker;  
 a data stored within said transponder circuit;  
 a mobile electrical device for transmitting an electromagnetic field in close proximity to said transponder circuit;  
 said transponder circuit receiving said electromagnetic field for powering said transponder circuit;  
 said transponder circuit transmitting said data to said mobile electronic device;  
 said mobile electronic device utilizing said data to access an electronic file on a network;  
 said electronic file including information regarding the memorial;  
 a plaque housing defining a plaque void therein;  
 said transponder circuit positioned within said plaque void;  
 said plaque housing coupled to said marker; and  
 said plaque housing including a second information.

2. A memorial data interface device for providing information regarding a memorial as set forth in claim 1, wherein said marker selected from the group consisting of a headstone, urn, and burial vault.

3. A memorial data interface device for providing information regarding a memorial as set forth in claim 1, wherein said transponder circuit includes a near field communication circuit.

4. A memorial data interface device for providing information regarding a memorial as set forth in claim 1, wherein said data includes a uniform resource locator.

5. A memorial data interface device for providing information regarding a memorial as set forth in claim 1, wherein said mobile electrical device selected from the group consisting of a mobile phone, tablet, and mobile personal computer.

6. A memorial data interface device for providing information regarding a memorial as set forth in claim 1, wherein said network includes the world wide web.

7. A memorial data interface device for providing information regarding a memorial as set forth in claim 1, wherein said personal information selected from the group consisting of a biographic history, family tree, photograph, movie and awards.

10

8. A memorial data interface device for providing information regarding a memorial as set forth in claim 1, wherein said plaque housing having a rear plaque plate and a front plaque plate;  
 said rear plaque plate including an exterior side and an interior side;  
 said front plaque plate including an exterior side and an interior side;  
 an adhesive gasket layer couples said interior side of said rear plaque plate with said interior side of said front plaque plate;  
 said adhesive gasket layer defines said plaque void between said rear plaque plate with said front plaque plate;  
 said transponder circuit positioned within said plaque void;  
 said exterior side of said rear plaque coupled to said marker; and  
 said exterior side of said front plaque including said second information.

9. A memorial data interface device for providing information regarding a memorial as set forth in claim 8, further including a transponder circuit symbol coupled to said exterior side of said front plaque; and

said transponder circuit symbol providing notice of the transponder circuit positioned within said plaque housing.

10. A memorial data system for providing information regarding a monument, the memorial data system, comprising:

a marker for identifying the monument;  
 a transponder circuit coupled to said marker;  
 a data stored within said transponder circuit;  
 a mobile electrical device for transmitting an electromagnetic field in close proximity to said transponder circuit;  
 said transponder circuit receiving said electromagnetic field for powering said transponder circuit;  
 said transponder circuit transmitting said data to said mobile electronic device;  
 said mobile electronic device utilizing said data to access an electronic file on a network;  
 said electronic file including information regarding the monument;  
 a plaque housing defining a plaque void therein;  
 said transponder circuit positioned within said plaque void;  
 said plaque housing coupled to said marker; and  
 said plaque housing including a second information.

11. A memorial data interface device for providing information regarding a monument as set forth in claim 10, wherein said personal information selected from the group consisting of a biographic history, family tree, photograph, movie and awards.

12. A memorial data interface device for providing information regarding a monument as set forth in claim 10, wherein said plaque housing having a rear plaque plate and a front plaque plate;  
 said rear plaque plate including an exterior side and an interior side;  
 said front plaque plate including an exterior side and an interior side;  
 an adhesive gasket layer couples said interior side of said rear plaque plate with said interior side of said front plaque plate;



11

said adhesive gasket layer defines said plaque void between said rear plaque plate with said front plaque plate; said transponder circuit positioned within said plaque void; said exterior side of said rear plaque coupled to said marker; and said exterior side of said front plaque including said second information.

13. A memorial data interface device for providing information regarding a monument as set forth in claim 12, further including a transponder circuit symbol coupled to said exterior side of said front plaque; and said transponder circuit symbol providing notice of the transponder circuit positioned within said plaque housing.

14. A memorial data interface device for providing information regarding a monument as set forth in claim 10, wherein said transponder circuit includes a near field communication circuit; said data includes a uniform resource locator; said mobile electrical device selected from the group consisting of a mobile phone, tablet, and mobile personal computer; and said network includes the world wide web.

12

15. A memorial data system for providing information regarding a living individual, the memorial data system, comprising:

- a marker for identifying the living individual;
- a transponder circuit coupled to said marker;
- a data stored within said transponder circuit;
- a mobile electrical device for transmitting an electromagnetic field in close proximity to said transponder circuit;
- said transponder circuit receiving said electromagnetic field for powering said transponder circuit;
- said transponder circuit transmitting said data to said mobile electronic device;
- said mobile electronic device utilizing said data to access an electronic file on a network;
- said electronic file including information regarding the living individual;
- a plaque housing defining a plaque void therein;
- said transponder circuit positioned within said plaque void;
- said plaque housing coupled to said marker; and
- said plaque housing including a second information.

\* \* \* \* \*